

FRANK PATTERN™ CAST IRON ROOF DRAINS

SPECIFICATION

For use on flat built-up roof systems to facilitate water drainage where water can collect. Drain unit consists of cast iron main body, flashing ring leaf guard and strainer dome. Flashing ring secured to main body with stainless steel fasteners. Suitable for built-up hot mop roof systems and single ply roof.

DESIGN FEATURES

- Cast iron main dome body and top flange with corrosion resistant coating
- Removable twist-off strainer dome
- Leaf guard ring flashing
- Stainless steel fasteners

COMPLIANCES/LISTINGS

- IAPMO 4192; ASME A112.6.4-2003 (R08)/UPC/IPC
- Compliant to Uniform Plumbing Code (UPC®)
- Compliant to International Plumbing Code (IPC®)



INSTALLATION

1. Remove strainer dome grate and flashing ring from body casting. Leave studs in place.
2. Cut circular hole in roof substrate and position drain body casting in place.
3. Fasten with appropriate screws at each flange corner.
4. Ensure drain top flange is clean and lay roofing ply sheets down into sump and over flange.
5. Poke studs through roofing ply.
6. Fasten flashing ring in place and attach dome grate.



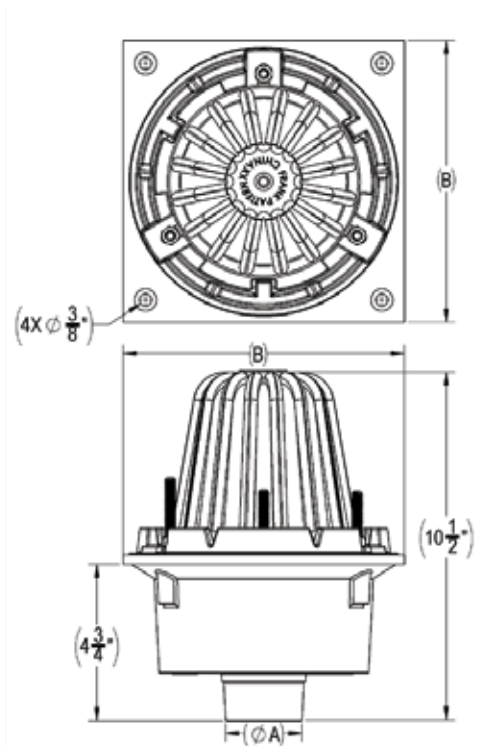
853N

PART NUMBER	DESCRIPTION	MSTR CTN QTY
ROOF DRAIN 8-1/2 SERIES / SIDE OUTLET		
852SN	2" No-Hub	1
853SN	3" No-Hub	1
854SN	4" No-Hub	1
ROOF DRAIN 8-1/2 SERIES / BOTTOM OUTLET		
852N	2" No-Hub	1
853N	3" No-Hub	1
854N	4" No-Hub	1
ROOF DRAIN PARTS		
850-003	Strainer Dome	4
850-006	Roof Drain Membrane Clamp - Reg	20
850-041	2" High Dam Membrane Clamp - 8"	8

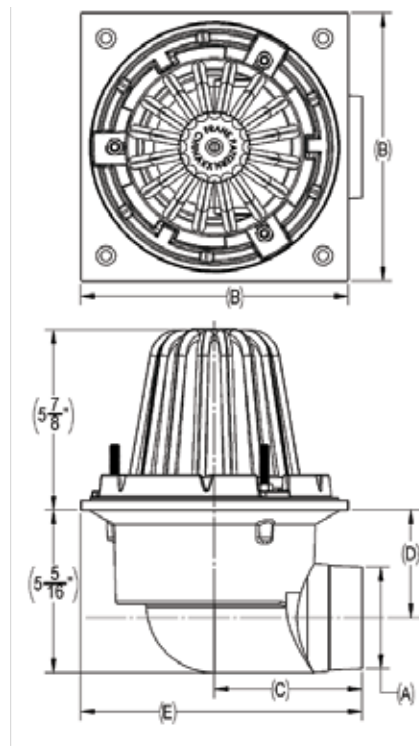
Product Submittal	
Job Name:	Date:
Part Number:	Quantity:
Architect:	
Contractor:	

Content matter is subject to change at any time. It is the user's responsibility to ensure the most updated revisions are obtained. 4/2021

Dimensions



Bottom Outlet



Side Outlet

PART NUMBER	DRAIN CONNECTION	DRAIN PIPE SIZE	DIMENSIONS (inches)				
			A	B	C	D	E
852N	No Hub	2"	2 5/16	8 1/2	-	-	-
852SN	No Hub	2"	2 5/16	8 3/4	4 13/16	4 1/16	9 3/16
853N	No Hub	3"	3 5/16	8 1/2	-	-	-
853SN	No Hub	3"	3 5/16	8 3/4	4 13/16	3 1/2	9 3/16
854N	No Hub	4"	4 3/8	8 3/4	-	-	-
854SN	No Hub	4"	4 3/8	8 3/4	4 13/16	3	9 3/16