



HYDRANTS

Post Hydrant

MODEL M-E123

3/4" FREEZE RESISTANT,
ECONO POST HYDRANT
WITH LEVER HANDLE

STANDARD FEATURES

Model M-E123 delivers year-round service outside or in unheated buildings. To provide freeze resistant functionality, the control valve is located below the frost line. Turning the lever handle raises or lowers the internal supply-line assembly, controlling the valve. Constructed of heavy lead-free brass, premium-quality gray iron and steel, the M-E123 is designed for trouble-free reliability and easy maintenance.

SUGGESTED SPECIFICATIONS

Hydrant shall be Murdock-Super Secur model M-E123. Unit shall be capable of year-round use in freezing weather.

Unit shall extend below grade level so that centerline of supply inlet is positioned at or below frost line. Inlet shall have 3/4" NPT female connection.

Water shall be gravity-evacuated from inner supply column when valve is shut off.

Valve shall be lever handle operated. Handle shall be fabricated of one-piece iron casting finished with a heavy grade of oil-based green enamel. Stock, top, and base shall be fabricated of heavy, one-piece iron castings finished with a heavy grade of oil-based green enamel.

Inner supply assembly shall incorporate solid-brass castings. All solid brass castings shall conform to ASTM standards B61 and B62. Lead-free castings are used in all waterways.

Outer casing shall be black iron pipe, finished with a heavy grade of oil-based green enamel.

Hydrant shall consist of internal supply line and a surrounding outer casing pipe for protection of waterway.

Nozzle shall be solid brass casting, threaded for 3/4" NPS hose connection.



Standard Model: M-E123

DEPTH OF BURY *(additional costs may be incurred)*

- | | |
|---|---|
| <input type="checkbox"/> 2 ft. (61 cm) | <input type="checkbox"/> 5 ft. (152.4 cm) |
| <input type="checkbox"/> 3 ft. (91.4 cm) | <input type="checkbox"/> 6 ft. (182.9 cm) |
| <input type="checkbox"/> 4 ft. (121.9 cm) | <input type="checkbox"/> Other _____ |

OPTIONS *(additional costs may be incurred)*

- | | |
|--------------------------------|---|
| <input type="checkbox"/> - BFH | Double ball check valve and vacuum breaker* |
| <input type="checkbox"/> - VB | Vacuum breaker |
| <input type="checkbox"/> - LC1 | Locking cover, less padlock* |
| <input type="checkbox"/> - R01 | Shut off valve with plate* |
| <input type="checkbox"/> | Plain end spout |
| <input type="checkbox"/> | Sewer drain connection |

* See separate option sheets



Member of
U.S. Green
Building
Council



Recyclable
Product

WARNING: Cancer and Reproductive Harm - www.P65Warnings.ca.gov

MURDOCK MFG. • 15125 Proctor Avenue • City of Industry, CA 91746 USA
Phone 800-453-7465 or 626-333-2543 • Fax 626-855-4860 • www.murdockmfg.com

Member of
MORRIS GROUP
INTERNATIONAL

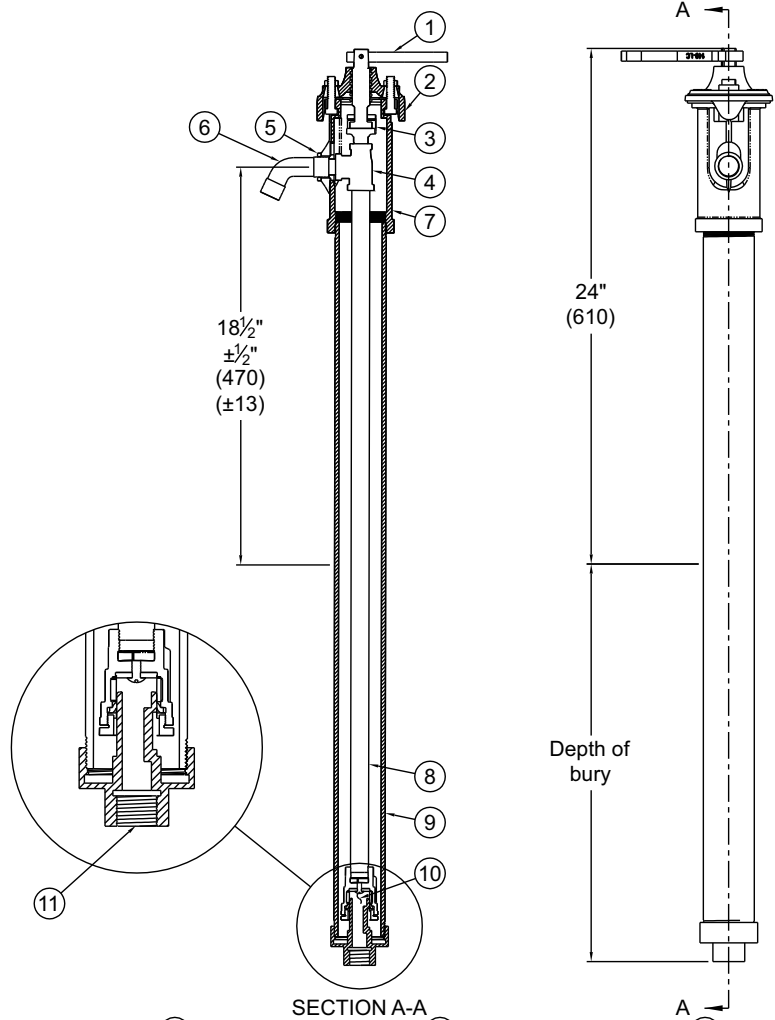


HYDRANTS

Post Hydrant

MODEL M-E123

3/4" FREEZE RESISTANT, ECONO POST HYDRANT WITH LEVER HANDLE



- | | | | |
|----------------|---------------------------------|---------------------|------------------------------------|
| ① Lever Handle | ④ Tee | ⑦ Stock | ⑩ Valve |
| ② Top | ⑤ Slide | ⑧ Inner supply pipe | ⑪ 3/4" female NPT brass connection |
| ③ Stirrup | ⑥ 3/4" Hose thread brass nozzle | ⑨ Outer casing | |

Murdock Mfg.™ warrants that its products are free from defects in material or workmanship under normal use and service for a period of one year from date of shipment. Murdock's liability under this warranty shall be discharged solely by replacement or repair of defective material, provided Murdock™ is notified in writing within one year from date of shipment, F.O.B. Industry, California.

| | | | |
|--|--|----------------|--|
| SELECTION SUMMARY & APPROVAL FOR MANUFACTURING | Model Number & Options _____ | Quantity _____ | All dimensions are subject to manufactures tolerance of plus or minus 1/2" nominal and subject to change without notice. Murdock assumes no responsibility for use of void or superseded data. Dimensions may change with the addition of optional accessories. Murdock Mfg.™, Member of Morris Group International™. Please visit www.murdockmfg.com for most current specifications. |
| | Company _____ | | |
| | Contact _____ | Title _____ | |
| | Signature (Approval for Manufacturing) _____ | Date _____ | |

MURDOCK MFG. • 15125 Proctor Avenue • City of Industry, CA 91746 USA
 Phone 800-453-7465 or 626-333-2543 • Fax 626-855-4860 • www.murdockmfg.com

Member of MORRIS GROUP INTERNATIONAL