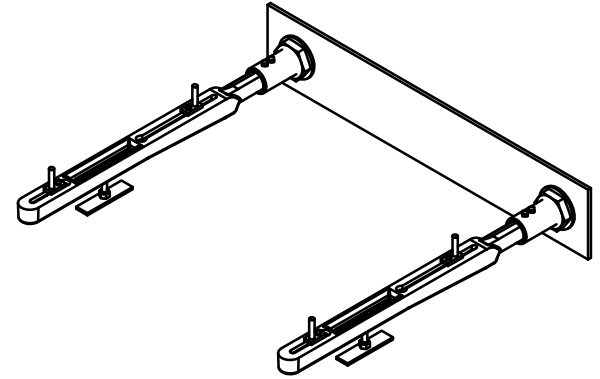
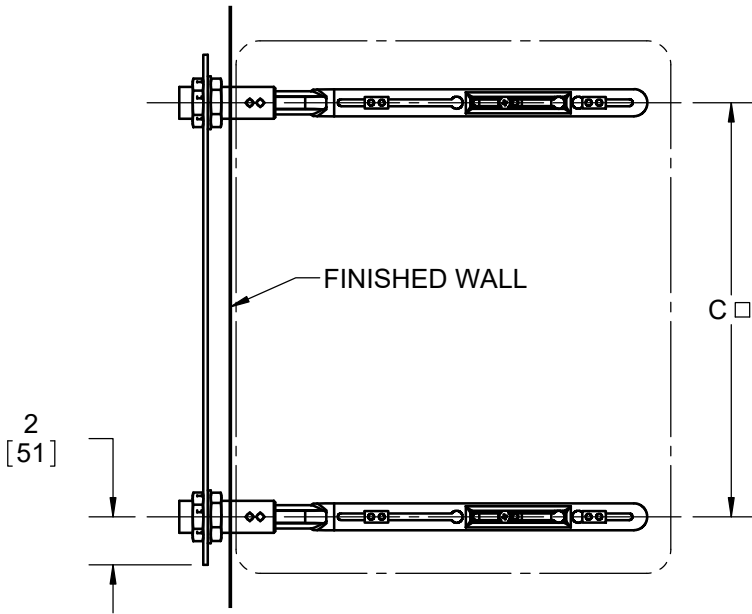


SPECIFICATION:

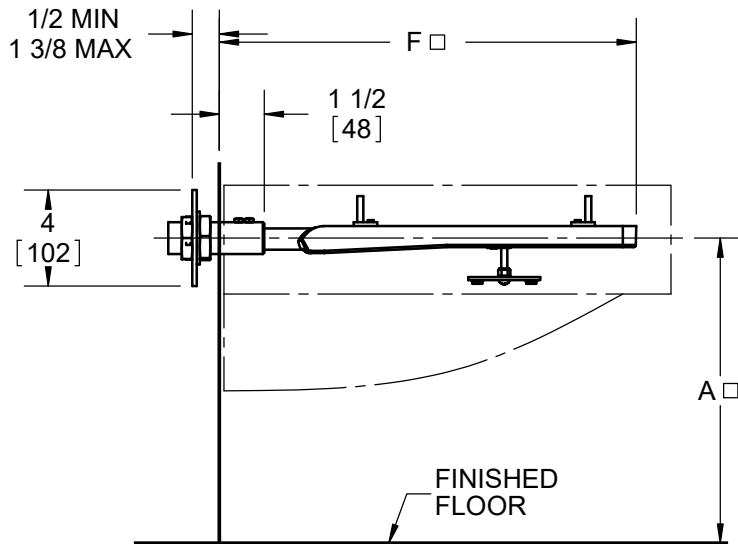
JOSAM 17125-202-AJ SERIES WALL-MOUNTED, SINGLE LAVATORY CARRIER CARRIER WITH CONCEALED ARMS, LEVELING & SECURING SCREWS AND STEEL PLATE FOR ATTACHING TO STUDS.

**LAVATORY CARRIER
WALL-MOUNT CONCEALED ARM**

SERIES **17125-202-AJ**



□: VARIABLE DIMENSION. DEPENDS ON FIXTURE. STANDARD ADJUSTABLE SLEEVE IS 4".



MANUFACTURER _____

NUMBER _____

SIZE _____

NAME _____

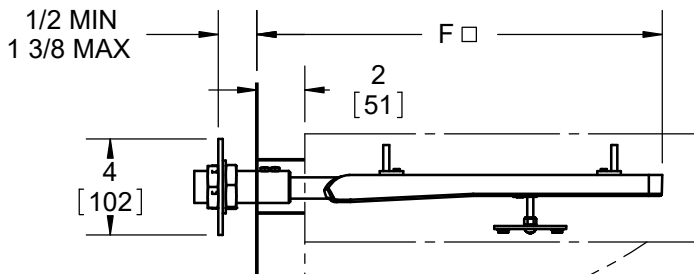
DIMENSIONS

A _____

C 17-1/4"

F _____

RIM HEIGHT _____
BASED ON "A" DIM SHOWN



CHROME PLATED ESCUTCHEONS (-75)

-10	EXTENSION SLEEVES LONGER THAN STANDARD (SPECIFY WALL THICKNESS)
-75	2" CHROME PLATED ESCUTCHEONS

WARNING: Cancer and Reproductive Harm - www.P65Warnings.ca.gov

DATE OF LAST CHANGE: 05/25/18

DIMENSIONS ARE SUBJECT TO MANUFACTURERS TOLERANCES AND CHANGE WITHOUT NOTICE. WE CAN ASSUME NO RESPONSIBILITY FOR USE OF SUPERSEDED OR VOID DATA.



MICHIGAN CITY, INDIANA

NOTES