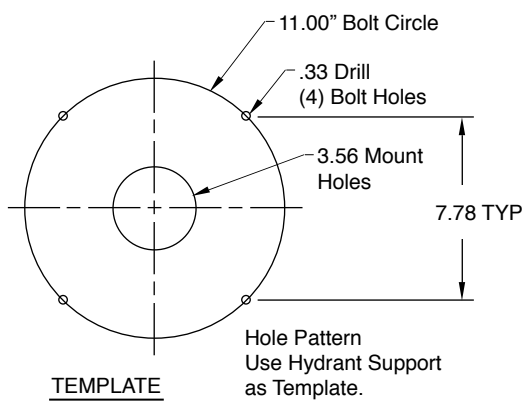
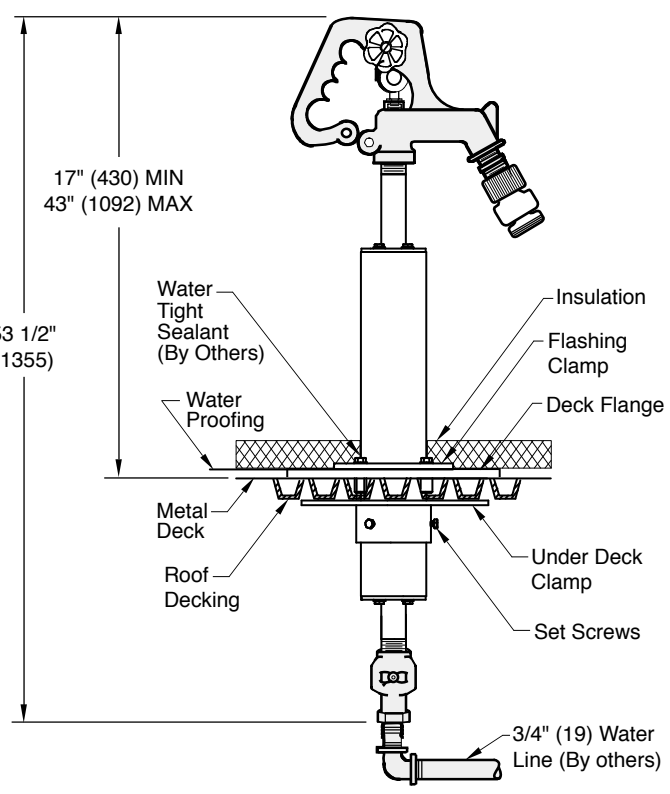
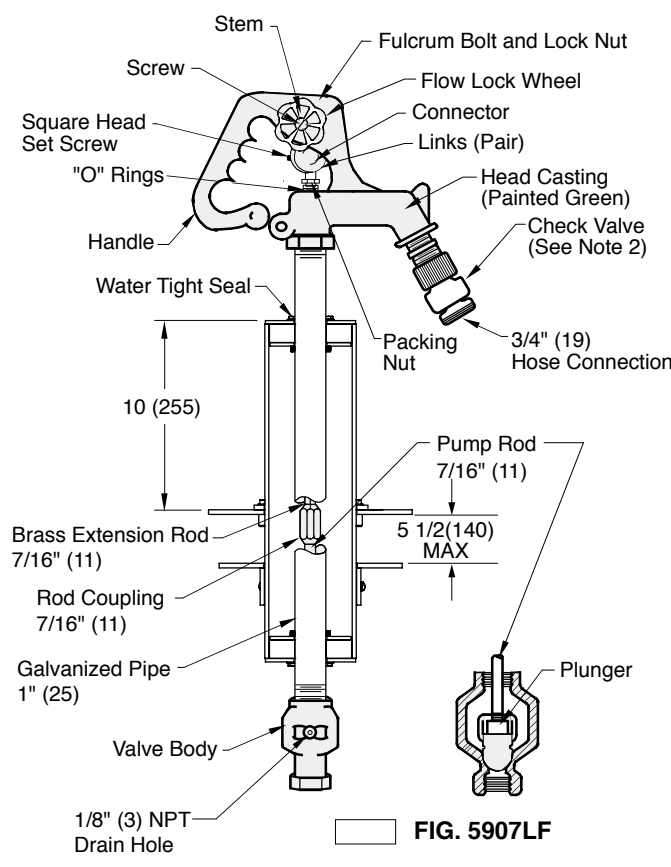


DRAWING NUMBER S5907	NON-FREEZE ROOF HYDRANT	
--------------------------------	-------------------------	--

FUNCTION: Provides water availability for window washing, cleaning of condenser coils, cooling towers and other types of roof equipment. Valve body of hydrant is drilled and tapped with 1/8" drain hole which must be piped to a drain location. The check valve prevents backflow due to low head back-pressure.



- NOTE:**
1. Drain Hole must be piped and discharged to an acceptable discharge point. Failure to do so will result in potential water damage which Smith is not responsible.
 2. Hose must be removed to allow proper draining of the casing. Smith is not responsible for any casings that burst or related incidents if the hose is not removed.
 3. The AB1953, California Lead Law, and NSF/ANSI Standard 61-2008 - Drinking Water System Components are not applicable to Jay R. Smith hydrants as they do not convey/dispense water for human consumption through drinking or cooking.
 4. Dimensions shown in parentheses are in millimeters.
 5. **FOR IRRIGATION PURPOSES ONLY.**

REGULARLY FURNISHED:
 Non-Freeze Roof Hydrant with Check Valve, Galvanized Casing and Adjustable Flow Wheel Lock Handle with Deck Flange and Under Deck Clamp.


 Certified by Truesdail Laboratories. Meets all Federal and state Safe Drinking Water Acts and requirements.
NSF/ANSI 372

FIGURE NUMBER 5907	DATE: 6-28-11	SCALE: NONE	SIZE A	DRAWN BY: TBW	CHECKED BY: CL	APPROVED BY: CL	WEIGHT POUNDS	VOLUME CUBIC FEET	FIGURE NUMBER 5907 (5900LF SERIES)
REV.	DATE	DESCRIPTION	BY	CKD. BY					
E	1-9-15	Revised Callout	TBW	CL					
D	1-21-14	Added Truesdail Note	TBW	JM					
C	2-5-13	Revised Notes	TBW	CL					
B	10-23-12	Rev. Function, Callout, Reg. Furn.	TBW	CL					

DIMENSIONS ARE SUBJECT TO MANUFACTURERS TOLERANCE AND CHANGE WITHOUT NOTICE

WE CAN ASSUME NO RESPONSIBILITY FOR USE OF SUPERSEDED OR VOID DATA