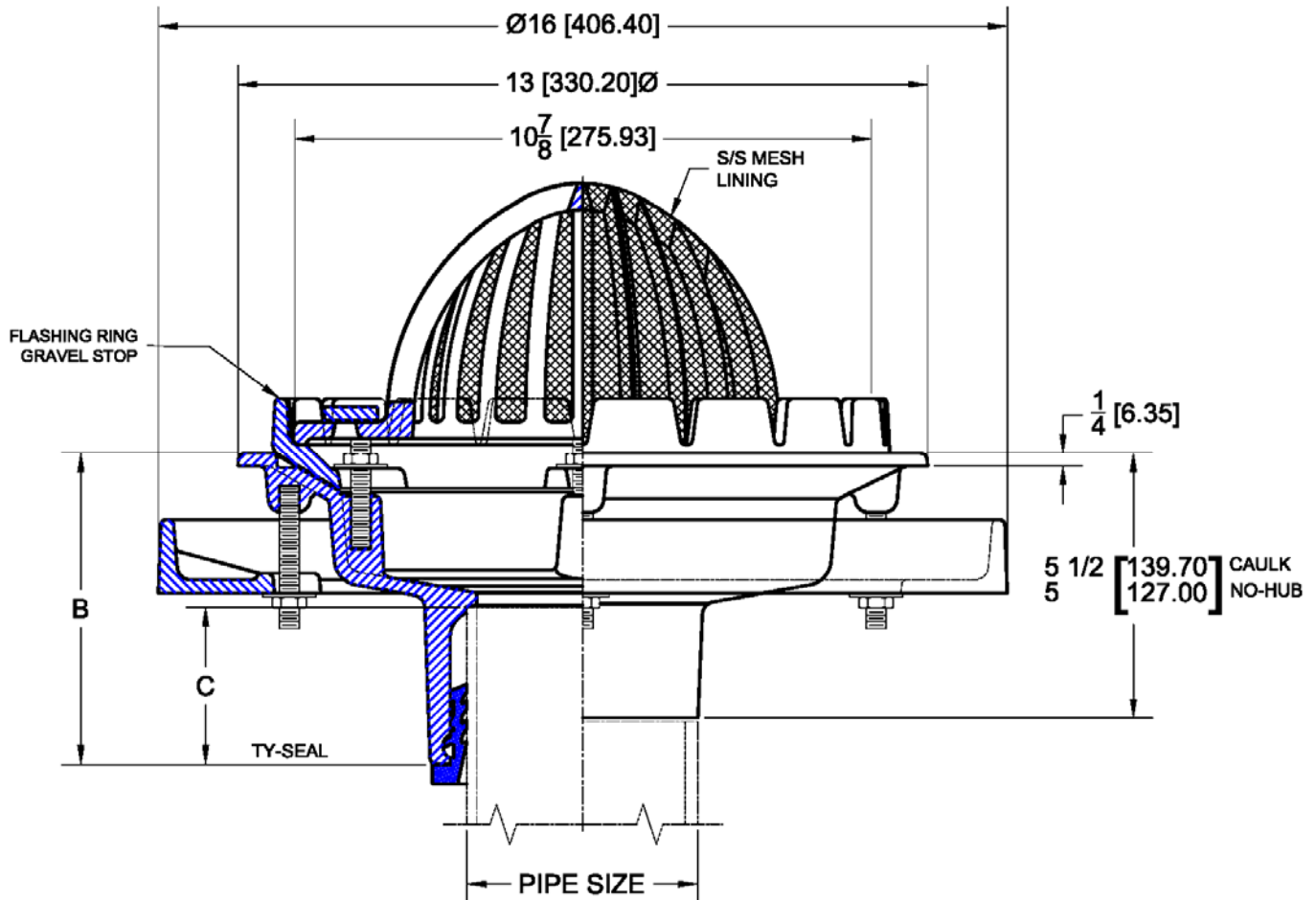


1862 Planting Area Drain with S/S Mesh Lined Dome

Regularly Furnished: Painted cast iron planting area drain with flange, clamping collar, seepage openings, stainless steel mesh lined dome and bottom outlet.



Pipe Size	B	C
2 (50)	5-1/2 (140)	2-1/2 (64)
3 (75)	5-3/4 (146)	2-3/4 (70)
4 (100)	5-3/4 (146)	3 (76)

Top Material		
✓	Suffix	Description
	-2	Rough Bronze
	-42	Cast Iron (Painted)

Outlet Variations		
✓	Type	Designation
	No-Hub	2NH, 3NH, 4NH, 6NH
	Push On	2TY, 3TY, 4TY
	Inside Caulk	2IC, 3IC, 4IC, 6IC

Options		
✓	Suffix	Description
	-ARC	Acid Resistant Coating
	-DIA	Deck Installation Assembly
	-TSD	Trap Seal Device (4405) 2,3,4"
	-39	Galvanized Iron Parts
	-52	Bearing Pan
	-53	Under Deck Clamp
	-189	Bearing Pan w/ Securing Package