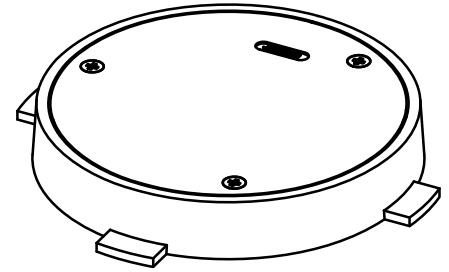
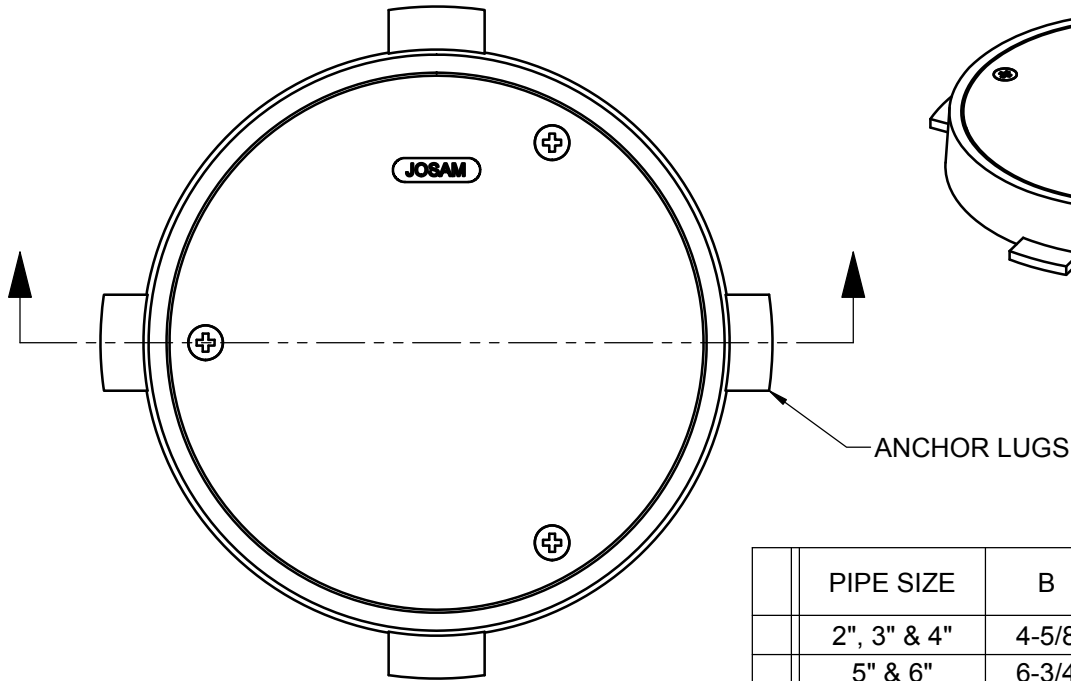


SPECIFICATION:

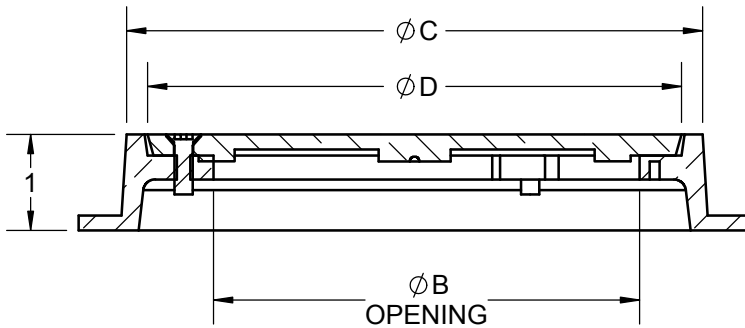
JOSAM 58610 SERIES ROUND CAST NIKALOY ACCESS FRAME AND ANCHOR LUGS AND SATIN SMOOTH SECURED COVER.

**CLEANOUT
WALL OF FLOOR ACCESS
COVER**

SERIES **58610**



PIPE SIZE	B	C	D
2", 3" & 4"	4-5/8	6	5-1/2
5" & 6"	6-3/4	8-1/4	7-3/4
8"	9-3/8	10-7/8	10-3/8



	-2	SATIN FINISH BRONZE
	-10	SCORIATED COVER
	-14	CARPET CLEANOUT MARKER
	-VP	SECURED COVER, VANDAL-PROOF SCREWS
Δ	-CO2	NO-HUB CLEANOUT, 2"
Δ	-CO3	NO HUB CLEANOUT, 3"
Δ	-CO4	NO-HUB CLEANOUT, 4"
Δ	-CO6	NO-HUB CLEANOUT, 6"
*	-20	RAISED HEAD BRONZE PLUG
*	-31	GALVANIZED CAST IRON PARTS
Δ	-COT2	NO-HUB CLEANOUT TEE, 2"
Δ	-COT3	NO-HUB CLEANOUT TEE, 3"
Δ	-COT4	NO-HUB CLEANOUT TEE, 4"
Δ	-COT6	NO-HUB CLEANOUT TEE, 6"

Δ SEPARATE SUBMITTAL FOR THIS OPTION AVAILABLE

*SPECIFY -CO OR -COT

WARNING: Cancer and Reproductive Harm - www.P65Warnings.ca.gov

DATE OF LAST CHANGE: 5/24/18

DIMENSIONS ARE SUBJECT TO MANUFACTURERS TOLERANCES AND CHANGE WITHOUT NOTICE. WE CAN ASSUME NO RESPONSIBILITY FOR USE OF SUPERSEDED OR VOID DATA.

JOSAM
MICHIGAN CITY, INDIANA

NOTES