

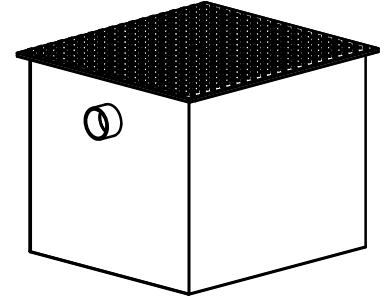
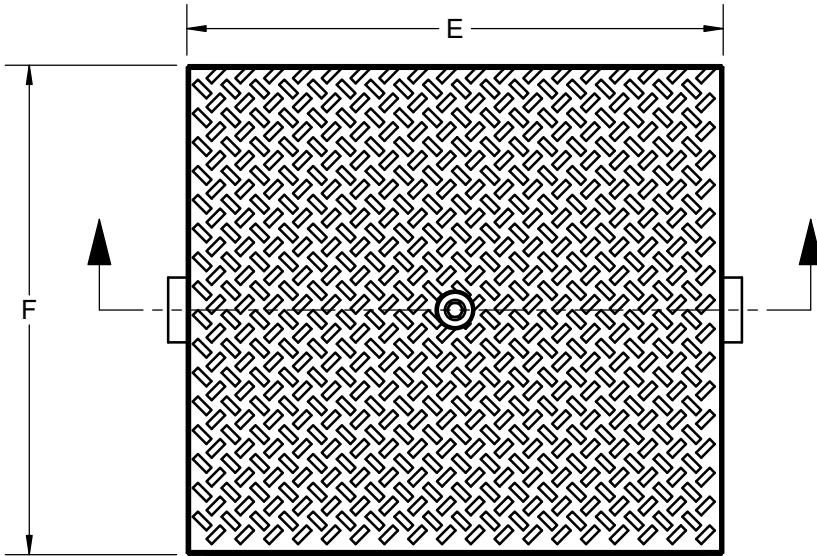
SPECIFICATION:

JOSAM 60100H SERIES ACID-RESISTING EPOXY COATED FABRICATED STEEL GREASE INTERCEPTOR, NO-HUB CONNECTIONS, INTERNAL TRAP, REMOVABLE BAFFLE, GASKETED NON-SKID COVER AND FLOW CONTROL FITTING.

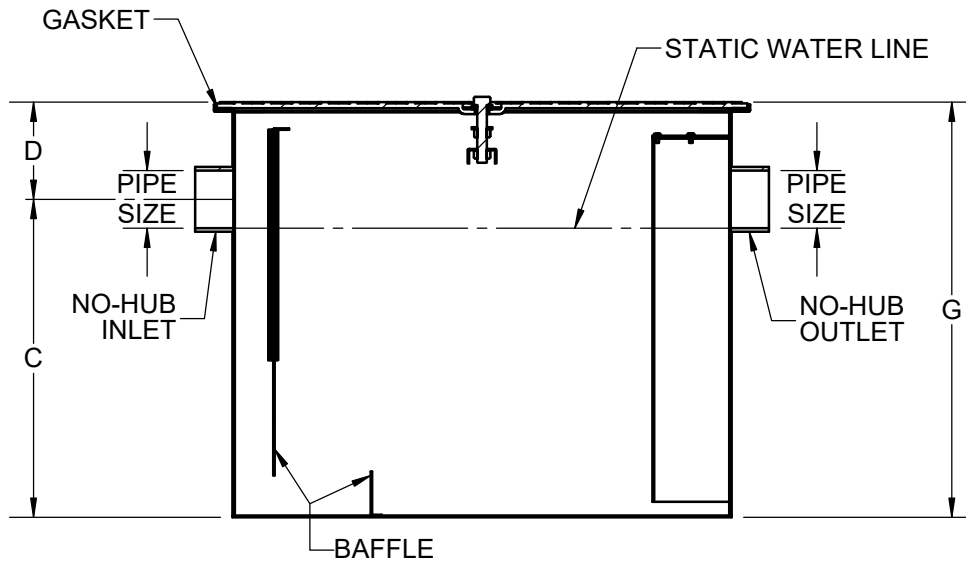
**GREASE INTERCEPTOR
MANUAL TYPE**

SERIES **60100H**

CONFORMS TO PLUMBING AND DRAINAGE INSTITUTE STANDARD PDI-G101 AND ASME A112.43



ACCEPTED FOR USE
CITY OF NEW YORK
DEPARTMENT OF BUILDINGS
MEA 255-06-E VOL. 1



	-AC	ALUMINUM COVER (N/A WITH -40, -HD)
Δ	-EGOLD	GREASE/OIL LEVEL DETECTOR (15-100GPM SIZES)
	-SS	STAINLESS STEEL INTERCEPTOR
Δ	-GRD	GREASE REMOVAL DEVICE (TIMER)
	-40	COVER RECESS FOR FLOOR FINISH
	-61	FLANGE AND CLAMP DEVICE
	-85	ENZYMATIC PORT IN COVER
	-ISI	INTEGRATED SOLIDS INTERCEPTOR
Δ	-EXT	EXTENSION, 6" STANDARD (SPECIFY EXT. HEIGHT)
Δ	-RT	RECESSED TYPE
Δ	-ET	ENCLOSED TYPE
	-HD	HEAVY-DUTY COVER

	TYPE	FLOW (GPM)	CAP. (LBS.)	PIPE SIZE	C	D	E	F	G
	60102H	7	14	2	8-1/4	3-3/8	14-7/8	13	11-5/8
	60103H	10	20	2	8-1/2	3-3/8	16-5/8	14-1/2	11-7/8
	60104H	15	30	2	9-1/2	3-3/8	20-3/8	17	12-7/8
	60105H	20	40	3	12	4-7/8	20-7/8	19	16-7/8
	60106H	25	50	3	13	4-7/8	23-3/8	21-1/2	17-3/8
	60107H	35	70	3	14-1/2	4-7/8	26-1/8	23	19-3/8
	60108H	50	100	3	16-1/2	4-7/8	27-7/8	25-1/2	21-3/8
	60109H	75	150	3	21	6	41	31	27
	60110H	100	200	4	23	8	47	35	31

Δ SEPARATE SUBMITTAL FOR THIS OPTION AVAILABLE

DATE OF LAST CHANGE: 06/12/18

DIMENSIONS ARE SUBJECT TO MANUFACTURERS TOLERANCES AND CHANGE WITHOUT NOTICE. WE CAN ASSUME NO RESPONSIBILITY FOR USE OF SUPERSEDED OR VOID DATA.

JOSAM
MICHIGAN CITY, INDIANA

NOTES

WARNING: Cancer and Reproductive Harm - www.P65Warnings.ca.gov