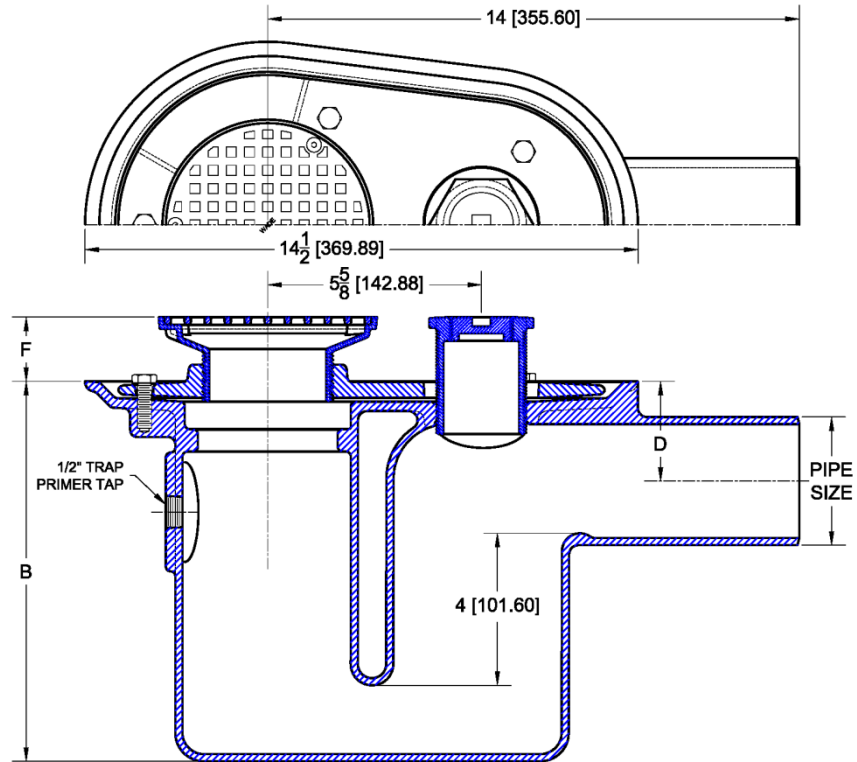


1121-A Floor Drain with Round Adjustable Top – Perforated Grate

Regularly Furnished: Painted cast iron floor drain body with anchor flange, seepage openings, reversible clamping collar, adjustable top, secured perforated grate, integral p-trap, 1/2" NPT trap primer tap (plugged) and bottom outlet. ASME Load Rating = L.D. (Light Duty) Under 2,000 Lbs.



Pipe Size	B	D
2 (50)	9 (229)	11 (279)
3 (75)	10 (254)	12-1/4 (311)
4 (100)	11-1/4 (286)	13-1/2 (343)

Top Size	F		G *	
	Min	Max	Min	Max
5 (127)	1-3/8 (35)	2-1/8 (54)	7/8 (22)	1-1/2 (38)
6 (152)	1-5/8 (41)	2-1/4 (57)	1 (25)	1-5/8 (41)
7 (178)	1-5/8 (41)	2-1/8 (54)	1 (25)	1-1/2 (38)
8 (203)	1-1/2 (38)	2-1/4 (57)	1 (25)	1-5/8 (41)
10 (254)	1-3/4 (44)	3-1/8 (79)	1-1/2 (38)	2-1/2 (64)

✓	Top Size & Type	Outlet Size In.	Grate Free Area (Sq.In.)
	A5	2,3,4,6	5.8
	A6	2,3,4,6	7.7
	A7	2,3,4,6	10.6
	A8	2,3,4,6	14.0
	A10	2,3,4,6	32.2

Top Material		
✓	Suffix	Description
	-1	Satin Finish Nickel Bronze
	-2	Satin Finish Bronze
	-85	Satin Finish 304 Stainless Steel (A5 & A6 Only)
	-102	Polished Chrome Plated

Outlet Variations		
✓	Type	Designation
	No-Hub	2NH, 3NH, 4NH

Funnels		
✓	Suffix	Description
	-EF4	4" Round Funnel Assembly
	-EF6	6" Round Funnel Assembly
	-EG8	8" Elongated Funnel Assembly

Options		
✓	Suffix	Description
	-ARC	Acid Resistant Coating (C.I. Parts)
	-DC	Debris Cover
	-TSD	Trap Seal Device (Model 4405)
	-X	Heavy Duty Grate (A6 Only)
	-8	Secondary Strainer
	-18	Solid Cover
	-27	Sediment Bucket
	-31	Backwater Valve
	-33	Closure Plug
	-39	Galvanized Iron Parts
	-83	Special Engraving
	-94	Extension Adapter

*'G' Dimension is for clamping collar in low position