

Westmere Sink

FEATURES:

- Overflow drain
- Vitreous China
- For Oval Cutout: 16-3/4" x 13-3/4"
- Basin clamps included

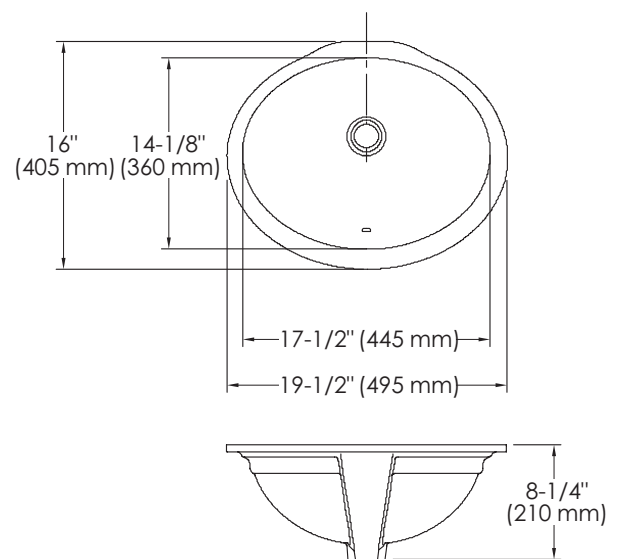
STANDARDS:

- cUPC certified
- ASME A112.19.2/CSA B45.1 compliant

WARRANTY:

Visit www.speakman.com for full product warranty information

- 1 Year Limited Warranty



All dimensions are in inches (millimeters) unless otherwise specified and are subject to change without notice.

Architect/Engineer Approval Space:

P: 800-537-2107
F: 800-977-2747
W: WWW.SPEAKMAN.COM
R: 02-OCTOBER 2020

Westmere Sink

FEATURES:

- Overflow drain
- Vitreous China
- For Oval Cutout: 16-3/4" x 13-3/4"
- Basin clamps included

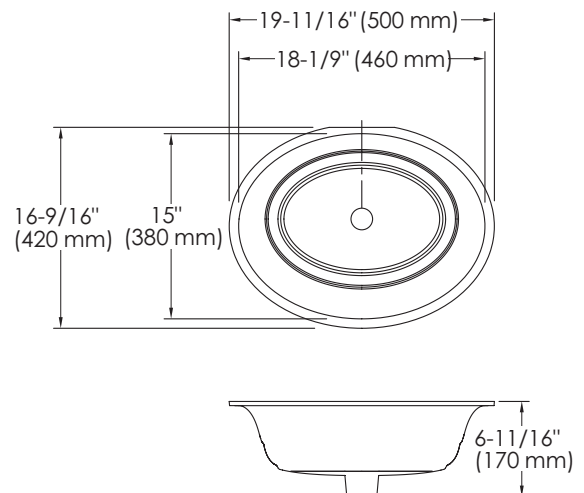
STANDARDS:

- cUPC certified
- ASME A112.19.2/CSA B45.1 compliant

WARRANTY:

Visit www.speakman.com for full product warranty information

- 1 Year Limited Warranty



All dimensions are in inches (millimeters) unless otherwise specified and are subject to change without notice.

Architect/Engineer Approval Space:

P: 800-537-2107
F: 800-977-2747
W: WWW.SPEAKMAN.COM
R: 01-MAY 2020

Westmere Sink

FEATURES:

- Overflow drain
- Vitreous China
- For rectangular cutout: 17" x 12-9/16"
- Basin clamps included

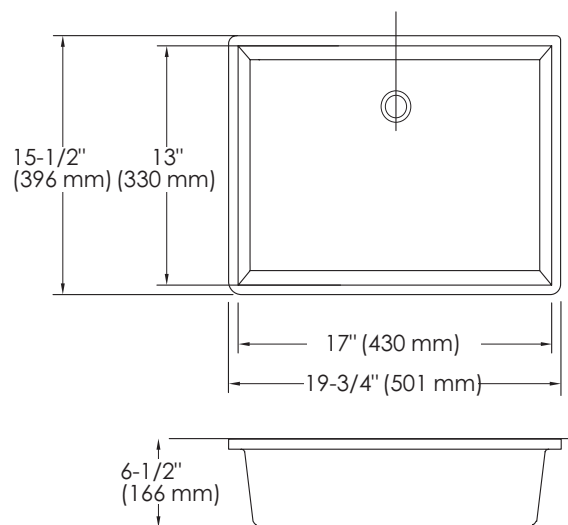
STANDARDS:

- cUPC certified
- ASME A112.19.2/CSA B45.1 compliant

WARRANTY:

Visit www.speakman.com for full product warranty information

- 1 Year Limited Warranty



All dimensions are in inches (millimeters) unless otherwise specified and are subject to change without notice.

Architect/Engineer Approval Space:

P: 800-537-2107
F: 800-977-2747
W: WWW.SPEAKMAN.COM
R: 01-MAY 2020