

Location: _____

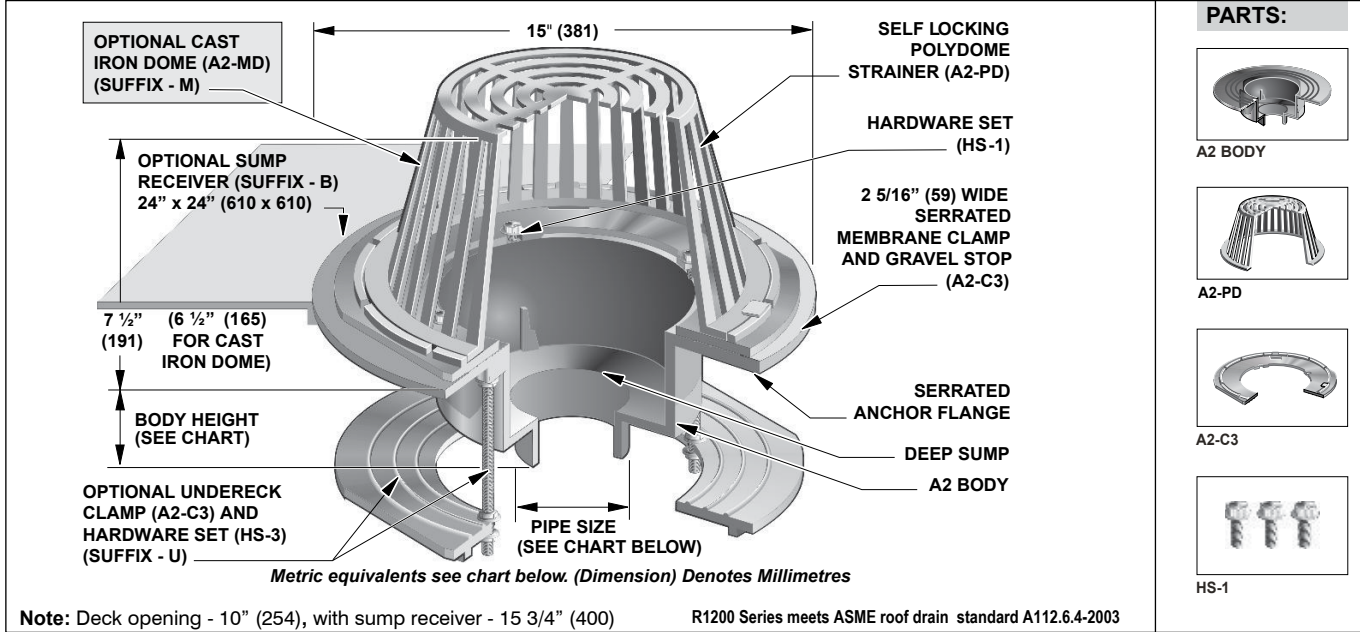


R1200

LARGE SUMP ROOF DRAIN

Specification: MIFAB® Series R1200 lacquered cast iron deep sump roof drain with 15" diameter anchor large cast iron membrane clamp ring with integral gravel stop, and standard self-locking polyethylene dome strainer with a free area of 125 square inches.

Function: Used in any type of roofs. Large free area dome provides for drainage of rain water and prevents debris from entering the drain line. Extra wide anchor and membrane clamp with tongue in groove design provides for secure grip of membrane and roof materials.



PIPE SIZE	BODY HEIGHT				
	NO HUB (STANDARD)	PUSH ON (P)	THREADED (T)	INSIDE CAULK (X)	PVC (-30) / ABS (-31)
2" (51)	5 3/4" (146)	5 1/2" (140)	6 1/2" (165)	6 1/2" (165)	6 3/4" (171)
3" (76)	5 3/4" (146)	5 1/2" (140)	6 5/8" (168)	6 1/2" (165)	7 1/2" (191)
4" (102)	5 3/4" (146)	5 1/2" (140)	5 1/2" (140)	6 1/2" (165)	7 5/8" (194)
5" (127)	5 3/4" (146)	5 1/2" (140)	6 5/8" (168)	6 3/4" (171)	-
6" (152)	7 1/4" (184)	5 5/8" (143)	5 5/8" (143)	6 1/2" (165)	-
8" (203)	5 7/8" (149)	N/A	N/A	(A7-8X body)	-

SUFFIX	OPTIONAL VARIATIONS
-6	Vandal proof dome (metal dome only)
-11	Acid resistant epoxy coating
-12	Galvanized metal dome
-12A	Galvanized body and membrane clamp
-12B	Galvanized metal dome and membrane clamp
-13	Galvanized body, membrane clamp and dome
-14	Flat grate (replaces dome strainer)
-28	Stainless steel body (Type 304) (2", 3", 4")
-30	PVC socket connection body
-31	ABS socket connection body
-81	Rough bronze dome
-83	Stainless steel mesh screen over metal dome
-90	Threaded side outlet (2", 3", 4")
-90NH	No Hub side outlet (cast iron only) (2", 3", 4")
(Standard)	No hub outlet
-B	Sump receiver
-BA	Buy America Act compliant product
-E	Adjustable extension
-EG	Galvanized Adjustable extension
-F1,-F2, -F3	Accuflow (parabolic weir) specify
-G	Stainless steel ballast guard
-HC	Adj. ballast guard with secondary clamp

SUFFIX	OPTIONAL VARIATIONS
-JC	S.S. ballast guard with secondary clamp
-M	Metal dome
-M-80	Low profile silhouette aluminum dome
P	Push on outlet
-PA	Pennsylvania Steel Act compliant product
-R	2" external water dam
-RG	RoofGuard non clogging cast iron dome
-T	Threaded outlet (2", 3", 4")
-U	Underdeck clamp
-U3	Underdeck clamp with cutaway side
-V	Fixed Static Extension 2", 3", 4"
-VG	Galvanized fixed extension (2", 3", 4")
-W	Adjustable water dam (4" dia.)
-W-1	Water proofing flange
-W2	2" internal water dam
-W3	3" internal water dam
-W4	4" internal water dam
-W6	6" internal water dam (4" high x 6" diameter (A2-C3-W6 and W6-31)
-X	Inside caulk outlet (2", 3", 4")
-XJ	Vertical expansion joint (see R1900)
-Z	Extended wide elastomeric flange

CALIFORNIA PROPOSITION 65 WARNING. This product contains chemicals known to the State of California to cause cancer and birth defects or other reproductive harm.

Job Name: _____ Page No: _____

Section No: _____ Contractor: _____

Schedule No: _____ Purchase Order No: _____