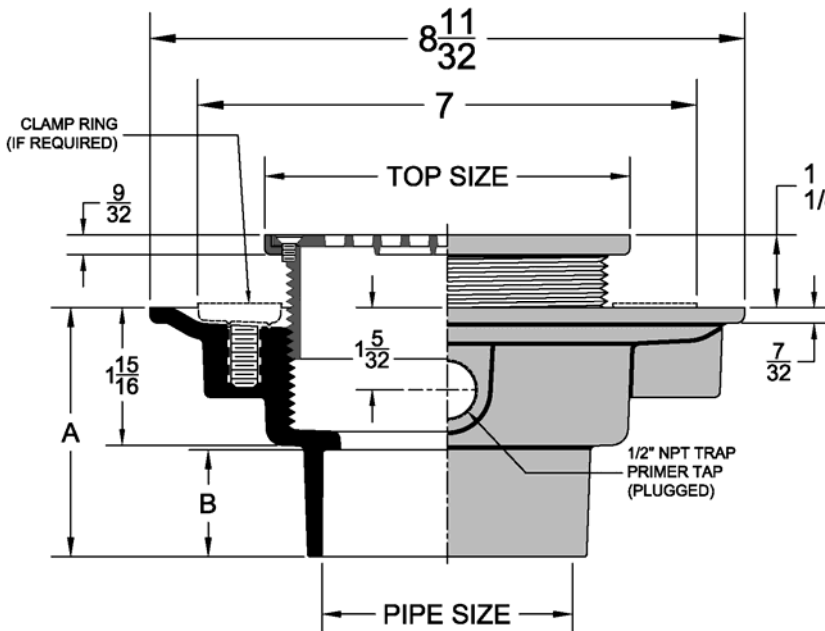


P1000-R Plastic Floor Drain Body with Adjustable Top Assembly

Project	Engineer	Mechanical
---------	----------	------------



ASME Load Rating
(-1) Nickel Bronze
Light Duty



P1000-R5-1-3PVC-26

Dimensions (Inches)		
Outlet Size	A	B
2"	3-1/32	1
3"	3-1/2	1-1/2
4"	3-3/4	1-3/4

Top Size & Type	•	Grate Free Area (Sq.In.)
	-1 Cast Iron Body with Satin Finish Nickel Bronze Top	
R5		8.8
R6		11.0

Regularly Furnished: ABS or PVC plastic floor drain body with flange, seepage openings, 1/2" primer tap with plug & type "R" top assembly.

Outlet Variations		
Type	Designation	•
ABS	2ABS,3ABS,4ABS	
Push On Gasket	2PVC,3PVC,4PVC	

Suffix Options		
Suffix	Description	•
-DIA	Deck Installation Assembly *	
-FF4	4" Round Funnel Assembly *	
-FG9	9" Elongated Funnel Assembly*	
-TSD	Trap Seal Device (See Model 4405)	
-VP	Vandal Proof Top Assembly	
-23	Grate Riser (3/8")	
-26	Clamping Collar for Membrane Floors *	
-26T	Threaded Clamping Collar *	
-27	Sediment Bucket	
-31	Backwater Valve	
-39	Galvanized Cast Iron	
-94	Cast Iron Extension Adapter*	Painted
		-39

*Dimensions vary from illustration