



# HYDRANTS

## 8120-LF Series

**MODEL 8120-LF**  
INDOOR & OUTDOOR BENT NOSE  
HOSE VALVES

### STANDARD FEATURES

- Cartridge Operated and Furnished w/ a Lock Shield Bonnet & Removable Loose Key Handle
- Regularly Furnished in Rough Bronze
- Optional Finishes Rough Chrome Plate & Polished Chrome Plate
- Horizontal Supply Valves Have Integral Wall Flange
- Vacuum Breaker, Backflow Protected Wall Sillcock

### SUGGESTED SPECIFICATIONS

Hose Bibb shall be Murdock model 8120-LF. Model Shall include a heavy brass body, furnished with a lockshield bonnet and removable loose key handle. Valves close with the wearing parts including the seat. Inlet is 3/4"-14 NPTI, outlet is 3/4"-11.5 NHE.

Vacuum breakers are atmospheric type and conform to the requirements of ASSE Standard 1011.

Hose valves meets the lead free requirements where the wetted surface of this product contacted by water contains less than .25% lead and are CUPC certified by IAPMO for U.S. and Canada. Check local authority for vacuum breaker requirements.



### MODEL: *(Must Specify)*

#### **BENT NOSE w/ FLANGE:**

- 8120-LF Less Vacuum Breaker
- 8120CP-LF Polished Chrome-Plated Less Vacuum Breaker
- 8120CR-LF Rough Chrome-Plated Less Vacuum Breaker
- 8121-LF With Vacuum Breaker
- 8121CP-LF Polished Chrome-Plated With Vacuum Breaker
- 8121CR-LF Rough Chrome-Plated With Vacuum Breaker

#### **BENT NOSE:**

- 8125-LF Less Vacuum Breaker
- 8125CP-LF Polished Chrome-Plated Less Vacuum Breaker
- 8125CR-LF Rough Chrome-Plated Less Vacuum Breaker (Shown)
- 8126-LF With Vacuum Breaker
- 8126CP-LF Polished Chrome-Plated With Vacuum Breaker
- 8126CR-LF Rough Chrome-Plated With Vacuum Breaker

Complies with the following standards:



Member of U.S. Green Building Council



Recyclable Product



Water Conserving Product

**WARNING:** Cancer and Reproductive Harm - [www.P65Warnings.ca.gov](http://www.P65Warnings.ca.gov)

**MURDOCK MFG.** • 15125 Proctor Avenue • City of Industry, CA 91746 USA  
Phone 800-453-7465 or 626-333-2543 • Fax 626-855-4860 • [www.murdockmfg.com](http://www.murdockmfg.com)

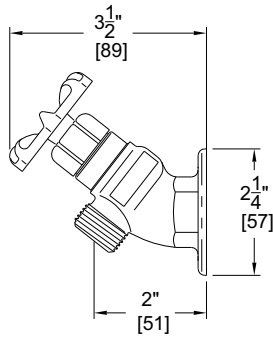
Member of **MORRIS GROUP INTERNATIONAL**



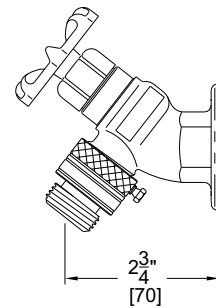
# HYDRANTS

## 8120-LF Series

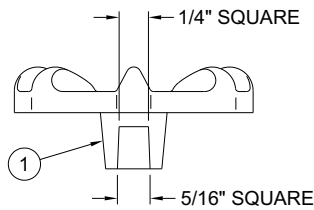
**MODEL 8120-LF**  
INDOOR & OUTDOOR BENT NOSE  
HOSE VALVES



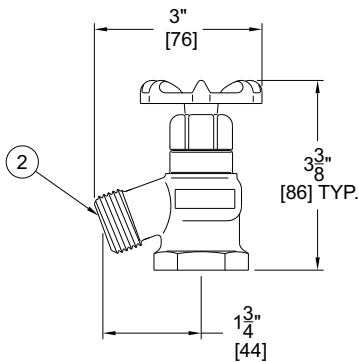
**8120-LF**



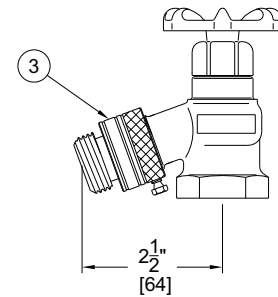
**8121-LF**



**SCALE 2X**



**8125-LF**



**8126-LF**

**NOTES:**

1. WHEEL HAND (REMOVABLE)
2. 3/4"-11.5 NHE HOSE CONNECTION.
3. VACUUM BREAKER

*Murdock Mfg.™ warrants that its products are free from defects in material or workmanship under normal use and service for a period of one year from date of shipment. Murdock's liability under this warranty shall be discharged solely by replacement or repair of defective material, provided Murdock™ is notified in writing within one year from date of shipment, F.O.B. Industry, California.*

<b>SELECTION SUMMARY &amp; APPROVAL FOR MANUFACTURING</b>	Model Number & Options _____	Quantity _____	<p><small>All dimensions are subject to manufactures tolerance of plus or minus 1/2" nominal and subject to change without notice. Murdock assumes no responsibility for use of void or superseded data. Dimensions may change with the addition of optional accessories. Murdock Mfg.™, Member of Morris Group International™. Please visit <a href="http://www.murdockmfg.com">www.murdockmfg.com</a> for most current specifications.</small></p>
	Company _____		
	Contact _____	Title _____	
	Signature (Approval for Manufacturing) _____		
	Date _____		