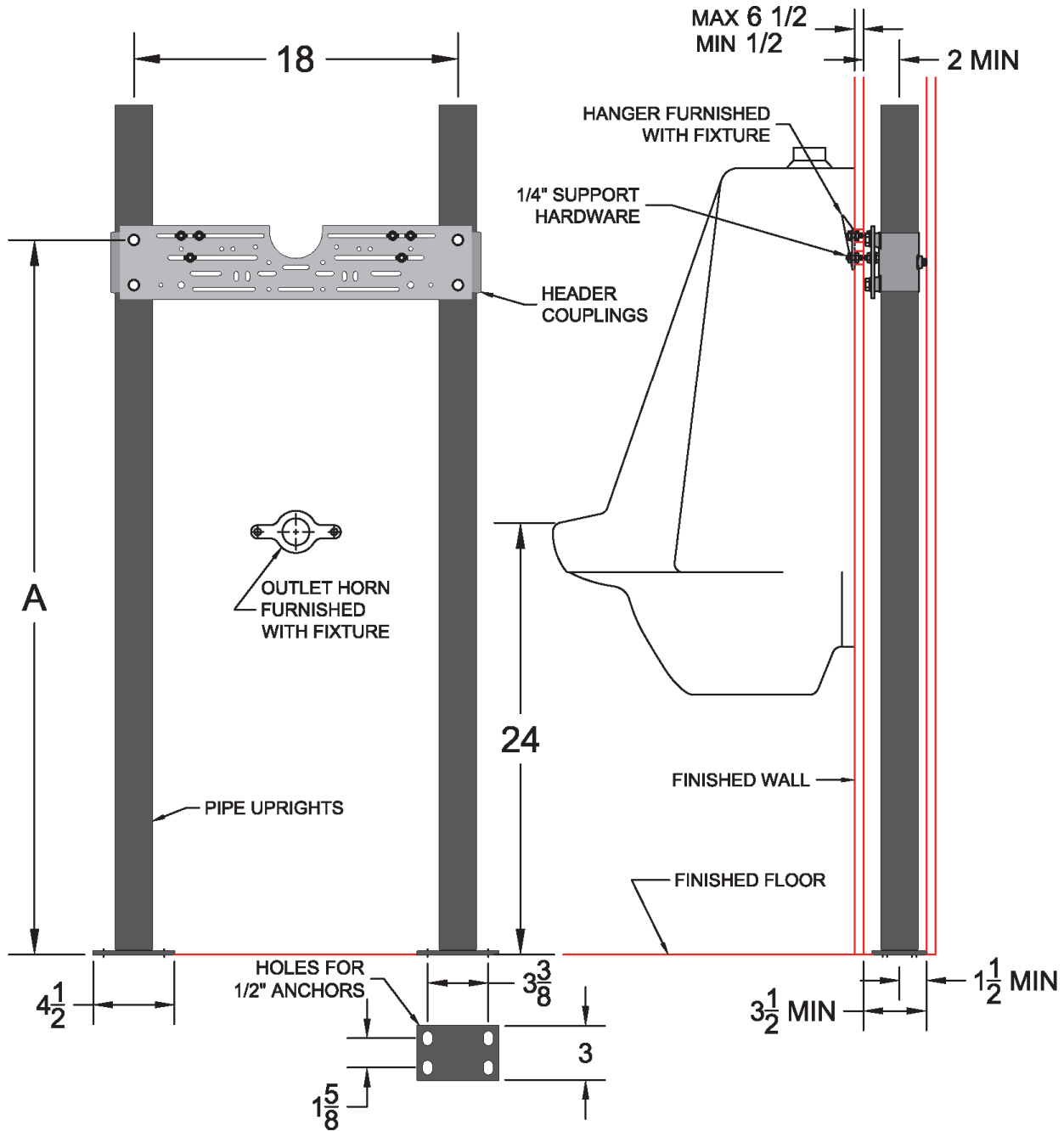


## 401 Urinal Carrier

Project	Engineer	Mechanical
---------	----------	------------

Conforms to ASME A112.6.1M Type II Urinal Carrier—Max Load Test 200 Lbs.



Model	Configuration	•
401	Single	
401-D	Double (Back to Back)	

Suffix Options		
Suffix	Description	•
-AM1	Flush Valve Support *	
-D	Back to Back Fixture Support*	
-M3	Vandal Proof Finish Hardware	
-M4	Longer Hardware for Thicker Walls (per in)	
-M18	Extra Long Upright*	
-M36	Rectangular Uprights	

**Regularly Furnished:** Plate type urinal carrier with round, steel uprights & rectangular base feet.

\*Dimensions vary from illustration