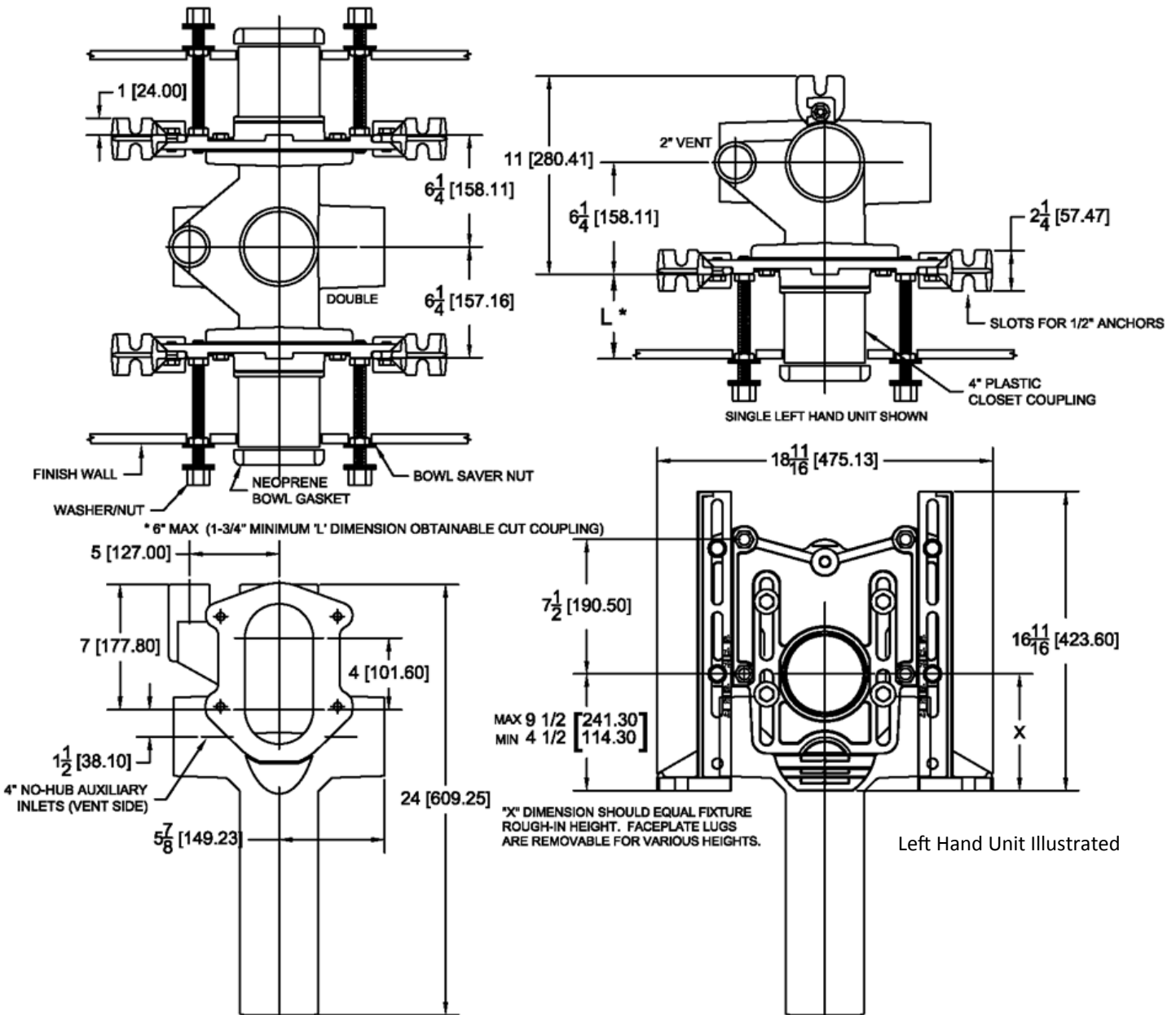


330-A1 Vertical Adjustable Water Closet Support w/ One 4" Side Inlet (300 Lb.)

Project	Engineer	Mechanical
---------	----------	------------



•	Model	Configuration	Connection Type
	330-NR44-A1	Single RH	No-Hub
	330-NL44-A1	Single LH	
	330-ND44-A1	Double	

Regularly Furnished: Vertical water closet carrier with fitting, one auxiliary 4" side inlet (vent side), floor mounted foot support, rear anchor, 7" ABS coupling with o-ring seal, test cap, threaded zinc plated support studs and hardware, stud protectors, neoprene bowl basket, chrome plated cap nuts, & adjustable faceplate.

Suffix	Description	•
-AM1	Flush Valve Support	
-AM21	Tiling Flange	
-ECC	Extending Coupling & Hardware (Per Inch)	
-FPO	Adjustable, All Thread ABS Coupling	
-HR	High Rough Faceplate*	
-LR	Low Rough Faceplate *	

Suffix Options		
Suffix	Description	•
-M3	Vandal Proof Hardware	
-M4	Rod Supported Feet*	
-M14	Floor Mounted, Back Outlet Adapter	
-M26	Adjustable Cast Iron Coupling	

*Dimensions vary from illustration