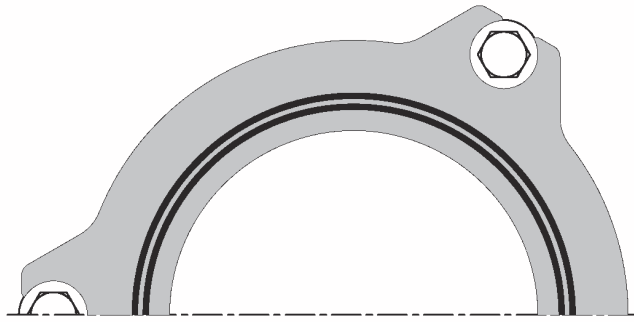
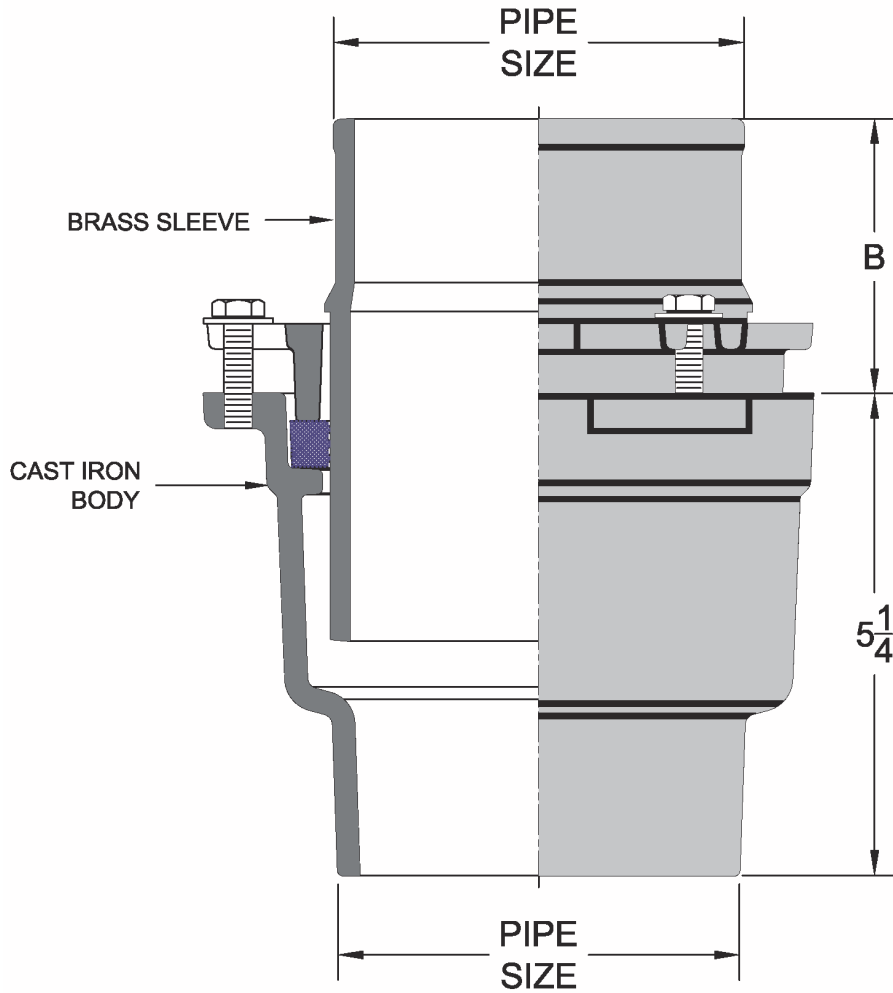


3900 Expansion Joint



Project	
Engineer	
Mechanical	



Regularly Furnished: Cast iron expansion joint with clamp ring, pipe sleeve, & neoprene gasket.

Pipe Size	B		•
	MIN	MAX	
2"	2 7/8	5	
3"	2 7/8	5	
4"	2 7/8	5	
5"	3 1/4	5 1/4	
6"	3 1/4	5 1/4	
8"	3	5 1/4	

Suffix Options		
Suffix	Description	•
-39	Galvanized Cast Iron	

Outlet Variations		
Type	Designation	•
No-Hub	3NH,4NH,5NH,6NH,8NH	
Threaded	2IPS,3IPS,4IPS,5IPS,6IPS,8IPS	