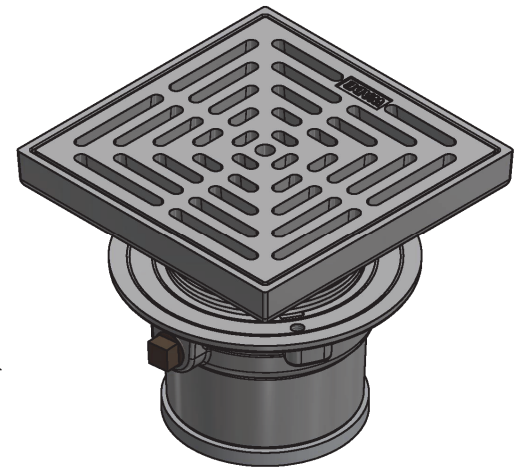
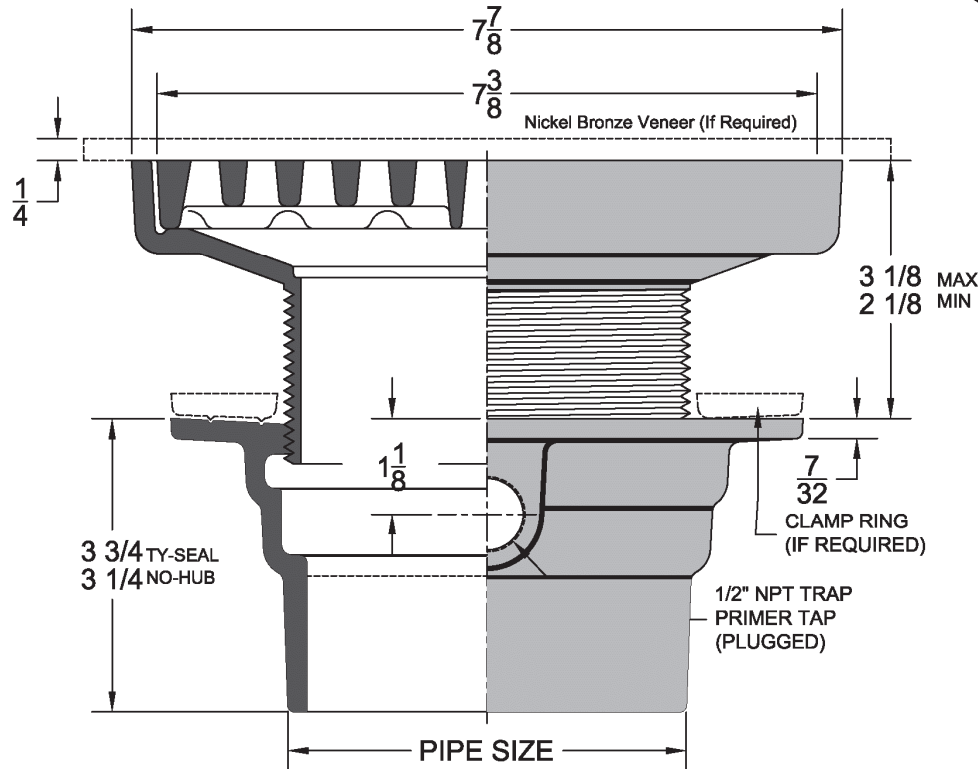


1000-TL Heavy Duty, Adjustable Square Top Floor & Area Drain

Project	
Engineer	
Mechanical	



1000-TL-3TY

Top Size & Type	●		Grate Free Area (Sq.In.)
	-1 Cast Iron Body with Satin Finish Nickel Bronze Top	-12 Cast Iron Body with Ductile Iron Top	
TL			17.0

Regularly Furnished: Painted cast iron floor drain body with flange, seepage openings, 1/2" primer tap with plug, adjustable square top assembly, & heavy duty grate.

Add 1/4" to Top Dimension for Veneer Tops.

**Dimensions vary from illustration*

Suffix Options		
Suffix	Description	●
-DIA	Deck Installation Assembly *	
-EF4	4" Round Funnel Assembly*	-1
		-12
-EF6	6" Round Funnel Assembly*	-1
		-12
-EG6	6" Elongated Funnel Assembly*	-1
		-12
-EG8	8" Elongated Funnel Assembly*	-1
		-12
-SO	90 Degree Side Outlet (2NH,3NH,4NH)	
-TSD	Trap Seal Device (See Model 4405)	
-VP	Vandal Proof Top Assembly	
-8	Secondary Strainer	
-26	Clamping Collar for Membrane Floors	
-26T	Threaded Clamping Collar *	
-27	Sediment Bucket	
-31	Backwater Valve	
-33	Closure Plug	
-39	Galvanized Cast Iron	
-94	Cast Iron Extension Adapter *	Painted
		-39

Outlet Variations		
Type	Designation	●
No-Hub	2NH,3NH,4NH	
Push On Gasket	2TY,3TY,4TY	