



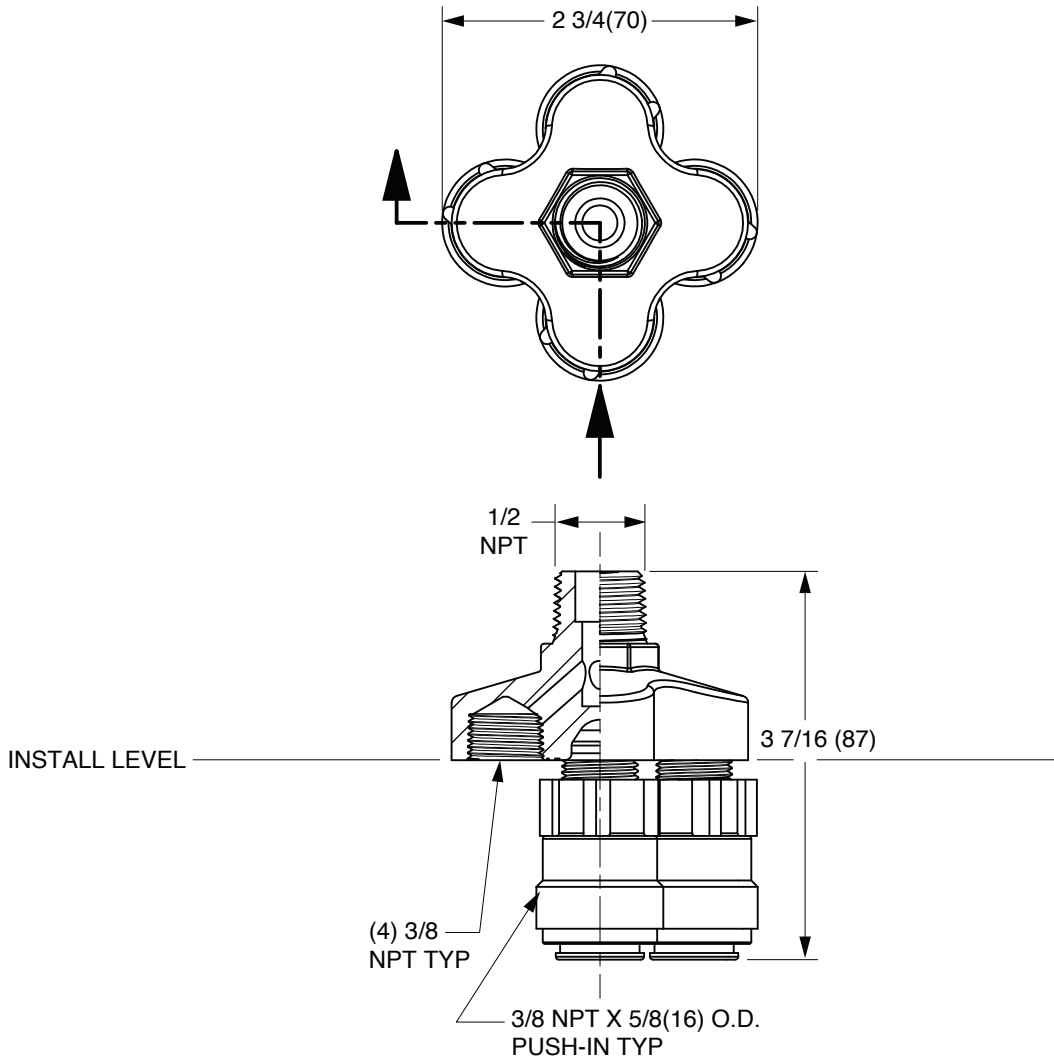
SMITH
FLUID
CONTROLS™

JAY R. SMITH MFG. CO.®
MEMBER OF MORRIS GROUP INTERNATIONAL
POST OFFICE BOX 3237
MONTGOMERY, ALABAMA 36109-0237 (USA)
TEL: 334-277-8520 FAX: 888-377-7818 www.jrsmith.com

LOCATION

DISTRIBUTION UNIT

FUNCTION: Used to divide the output of a Trap Primer where 2 to 4 trapped drains are installed.



REGULARLY FURNISHED:
Lead Free Brass or ABS Body
with 1/2" NPT Inlet Connection
with Outlet Connection as
Indicated by Figure Number
Selected.

- Fig. 2694DA-625CTS
(4) 3/8 NPT X 5/8"(16) O.D.
PUSH-IN TYP
- Fig. 2694DA-ABS625CTS
(4) 3/8 NPT X 5/8"(16) O.D.
PUSH-IN TYP



FILE 11743

PATENT NO. US 10,066,378

2694DA-CTS

DRAWN BY:
TBW

CHECKED BY:
DP

APPROVED BY:
DP

DATE:
7-31-18

SCALE:
NONE

SIZE
A

DRAWING NUMBER
S2694DA-CTS

B

FIGURE
NUMBER

B	3-4-20	Rev. Drawing: Add Install Level	MW	JM	WEIGHT POUNDS	VOLUME CUBIC FEET	FIGURE NUMBER 2694DA-CTS
A	12-2-19	Revised Drawing, Added UPC	MW	CL			
REV.	DATE	DESCRIPTION	BY	CKD. BY			



WARNING: Cancer and Reproductive Harm - www.P65Warnings.ca.gov



SMITH
FLUID
CONTROLS™

JAY R. SMITH MFG. CO.®
MEMBER OF MORRIS GROUP INTERNATIONAL
POST OFFICE BOX 3237
MONTGOMERY, ALABAMA 36109-0237 (USA)
TEL: 334-277-8520 FAX: 888-377-7818 www.jrsmith.com

LOCATION

B

DRAWING NUMBER
S2694DA-CTS-BS

SIZE
A

SCALE:
NONE

DATE:
7-31-18

APPROVED BY:
DP

CHECKED BY:
DP

DRAWN BY:
TBW

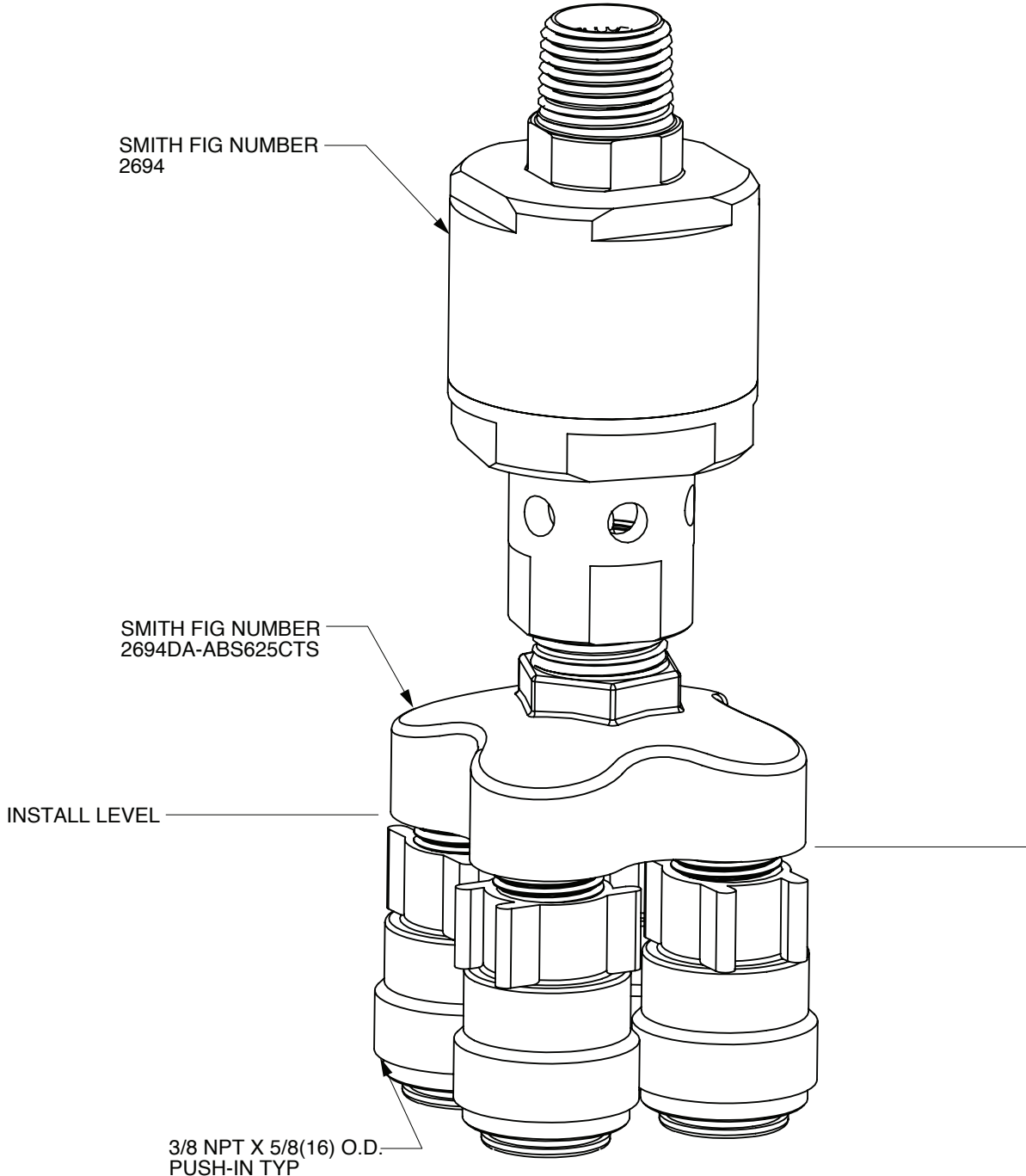
2694DA-CTS-BS

FIGURE NUMBER

WE CAN ASSUME NO RESPONSIBILITY FOR USE OF SUPERSEDED OR VOID DATA

DIMENSIONS ARE SUBJECT TO MANUFACTURERS TOLERANCE AND CHANGE WITHOUT NOTICE

TYPICAL ASSEMBLY WITH A DISTRIBUTION UNIT



**Fig. 2694 with
Fig. 2694DA-ABS625CTS
(4) 3/8 NPT X 5/8"(16) O.D.
COPPER TUBE SIZE TYP**

B	3-4-20	Rev. Drawing: Add Install Level	MW	JM	WEIGHT POUNDS	VOLUME CUBIC FEET	FIGURE NUMBER 2694DA-CTS-BS
A	12-2-19	Revised Drawing	MW	CL			
REV.	DATE	DESCRIPTION	BY	CKD. BY			



WARNING: Cancer and Reproductive Harm - www.P65Warnings.ca.gov