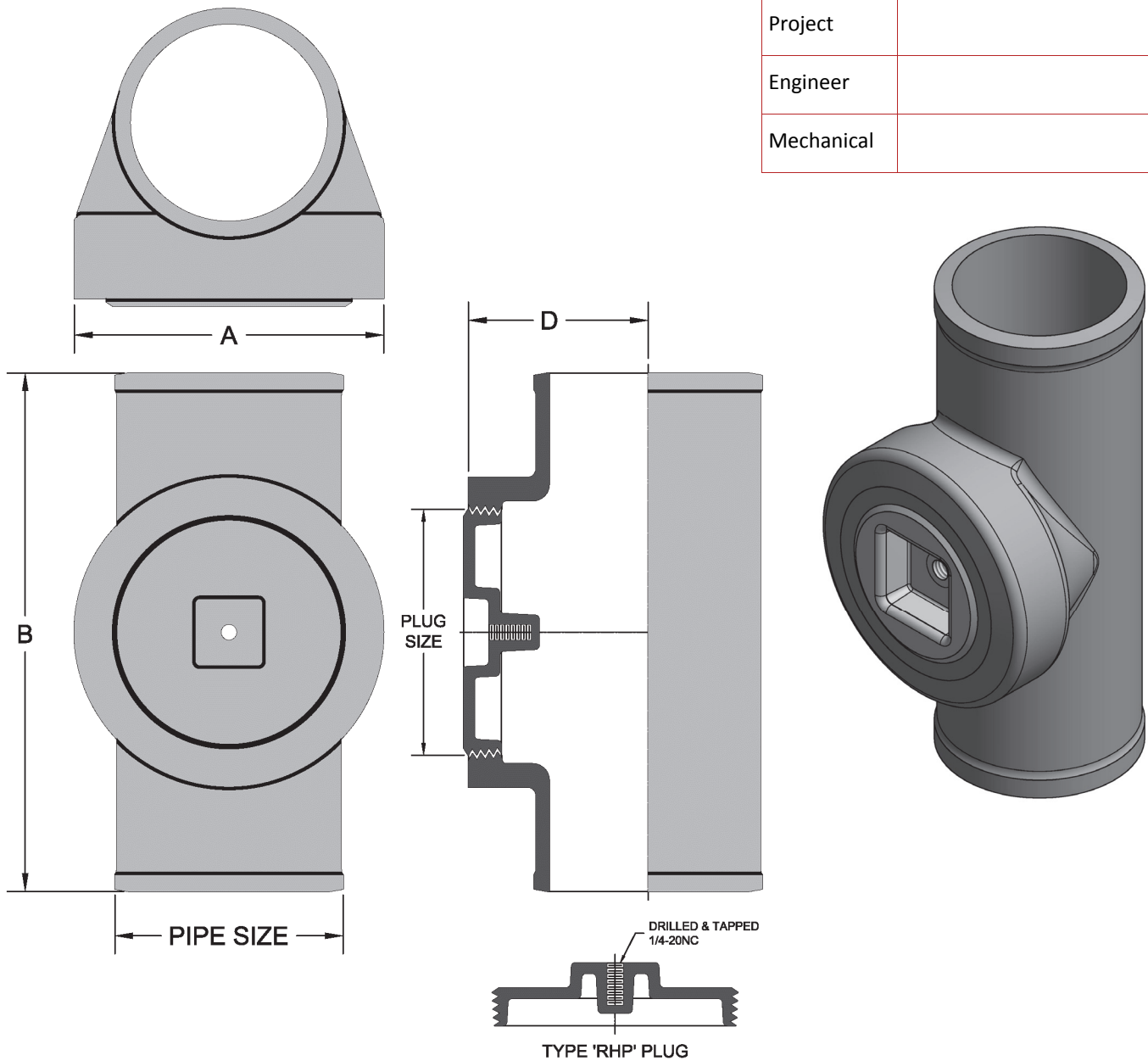


8560-NH Cleanout Tee & Plug

Regularly Furnished: Cast iron cleanout ferrule with countersunk ABS plug.

Project	
Engineer	
Mechanical	



Pipe Size	Plug Size	A	B	D	•
2"	2"	3-1/4	6-3/8	2	
3"	3"	4-5/8	7-3/4	2-3/4	
4"	4"	3-1/4	8-7/8	4-1/2	
5"	5"	5-3/4	11-1/2	5-3/4	
6"	6"	8-5/16	12-1/2	6-1/4	
8"	8"	10-1/4	15-1/4	7-5/8	
10"	10"	12	20	10	

Connection Type		
Type	Designation	•
No-Hub	2NH,3NH,4NH,6NH,8NH,10NH	

Suffix Options		
Suffix	Description	•
-RHP	Raised Head Plug	
-39	Galvanized Cast Iron	
-75	Bronze Plug in lieu of ABS	