

SPECIFICATION:

JOSAM 23500-AE SERIES COATED CAST IRON LEVEZEZE® ROOF DRAIN, SQUARE PEDESTRIAN GRATE SET IN SQUARE SECURED FRAME, WEJLOC® NON-PUNCTURING FLASHING COLLAR WITH WEEPHOLES FOR 2" ROOF FILL, BOLTED SUPPORT RING, ADJUSTABLE TOP, LARGE SUMP WITH WIDE ROOF FLANGE AND BOTTOM OUTLET.

ROOF DRAIN

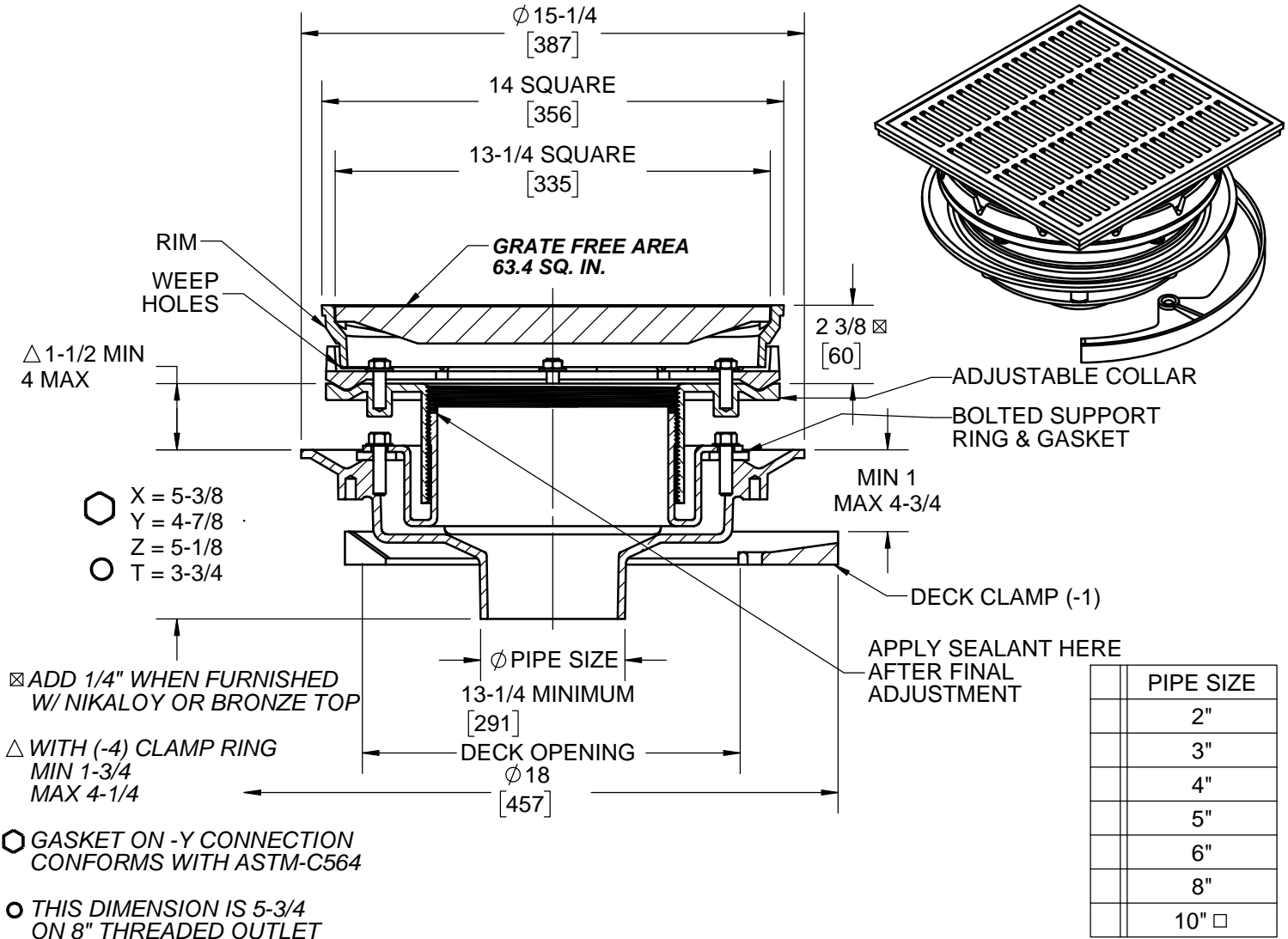
WITH LEVEZEZE® ADJUSTABLE EXTENSION

SERIES

23500-AE

SLOT WIDTH 5/16" (-50 & -51 SLOT WIDTH 1/4")

FORMERLY 23000 SERIES



- X = 5-3/8
- Y = 4-7/8
- Z = 5-1/8
- T = 3-3/4

⊠ ADD 1/4" WHEN FURNISHED W/ NIKALOY OR BRONZE TOP

△ WITH (-4) CLAMP RING
MIN 1-3/4
MAX 4-1/4

○ GASKET ON -Y CONNECTION CONFORMS WITH ASTM-C564

○ THIS DIMENSION IS 5-3/4 ON 8" THREADED OUTLET

** -10 EXTENSIONS 4" STANDARD

□ 10" AVAILABLE IN NO-HUB ONLY.

| PIPE SIZE |
|-----------|
| 2" |
| 3" |
| 4" |
| 5" |
| 6" |
| 8" |
| 10" □ |

WARNING: Cancer and Reproductive Harm - www.P65Warnings.ca.gov

| | | | | |
|---|--------|---|--------|--|
| X | -AE | THREADED LEVEZEZE ADJ. EXT. | -18 | EXTRA-DEEP SUMP |
| | -CR | CLAMPING DRAIN RECEIVER (MIN. DECK OPENING Ø 16") | -20 | GALVANIZED CAST IRON PARTS |
| | -IRMA | PERFORATED STAINLESS STEEL EXTENSION | -36 | DUCTILE IRON GRATE |
| | -PG | PARKING GRATE - 110 SQ. IN. F. A. (DUCTILE IRON ONLY) | -37-50 | HVY-DUTY DUCTILE UNDERGRATE LAMINATED TOP, NIK |
| | -1 | DECK CLAMP ASSEMBLY | -37-51 | HVYDUTY DUCTILE UNDERGRATE LAMINATED TOP, BRZ |
| | -1C | DRAIN RECEIVER CLIPS (MIN. DECK OPENING Ø 16") | -50 | CAST IRON UNDERGRATE LAMINTED TOP, NIKALOY |
| | -2 | DRAIN RECEIVER | -51 | CAST IRON UNDERGRATE LAMINTED TOP, BRONZE |
| | -3 | DECK CLAMP ASSEMBLY AND DRAIN RECEIVER | -VP | SECURED GRATE, VANDAL-PROOF SCREWS |
| | -3C | DRAIN RECEIVER AND DRAIN RECEIVER CLIPS | -66 | NO-HUB SIDE OUTLET (2" THRU 6" OUTLETS ONLY) |
| | -4 | SECONDARY FLASHING CLAMP | -T | THREADED OUTLET |
| | -6 | EXTRA WIDE FLANGE DRAIN BODY (-X OUTLET ONLY) | -X | INSIDE CAULK OUTLET |
| | -10 | FIXED EXTENSION COLLAR, CAST IRON (SPECIFY HEIGHT**) | -Y | HUB OUTLET W/ GASKET (2", 3" & 4" SIZES ONLY) |
| | -10-20 | FIXED EXTENSION COLLAR, GALVANIZED (SPECIFY HEIGHT**) | -Z | NO-HUB SPIGOT OUTLET |

DATE OF LAST CHANGE: 6/26/18
DIMENSIONS ARE SUBJECT TO MANUFACTURERS TOLERANCES AND CHANGE WITHOUT NOTICE. WE CAN ASSUME NO RESPONSIBILITY FOR USE OF SUPERSEDED OR VOID DATA.



NOTES