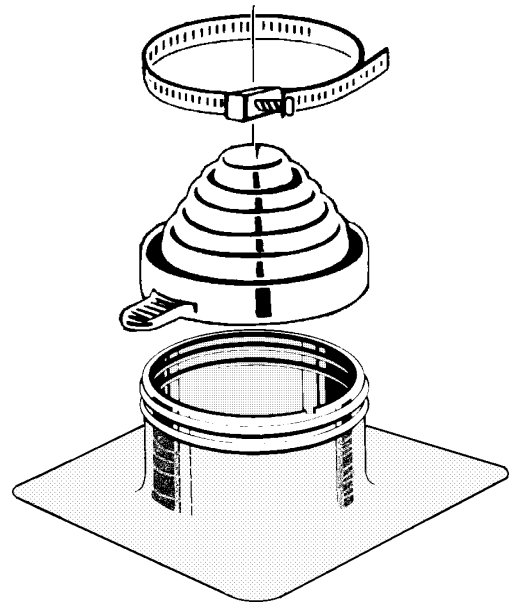




## Plasti-Flash with C-126 Cap

### SPECIFICATION

Furnish and install the Portals Plus Plasti-Flash as manufactured by Portals Plus, Inc., Bensenville, IL, at all points where one penetration 2" - 6" in diameter penetrates the roof. The Plasti-Flash shall include a .090 PVC base unit with a height of 4" and a base diameter of 14" square. The collared opening shall have two beaded sealing rings formed into the top edge. An EPDM (Ethylene Propylene Diene Monomer) compression molded white cap model C-126 shall be utilized. All Caps shall include Portals Plus' stainless steel Snaplock Clamp. Attachment and installation of the Plasti-Flash shall be done in accordance with Portals Plus' instructions and the roofing membrane manufacturer's recommendations.



NOTE: All dimensions are I.D. of conical shaped nipples

