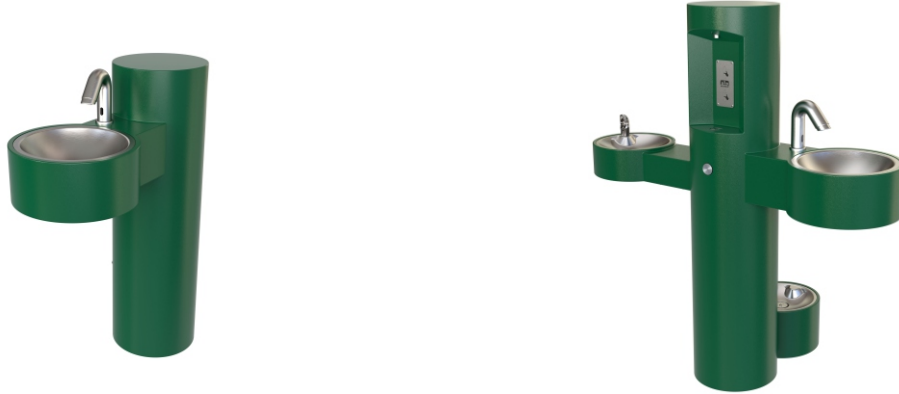




HAND WASHING STATION INSTALLATION/MAINTENANCE INSTRUCTIONS

GWJ84 & GWQ84 Series Barrier-Free Round Pedestal Stainless Steel Hand Wash Station



**TECHNICAL ASSISTANCE TOLL FREE TELEPHONE NUMBER:
1.800.591.9360**

Technical Assistance Fax: 1.626.855.4894

NOTES TO INSTALLER:

1. Please leave this documentation with the owner of the fixture when finished.
2. Please read this entire booklet before beginning the installation.
3. Check your installation for compliance with plumbing, electrical and other applicable codes.

LIMITED WARRANTY - UNITED STATES & CANADA

Murdock warrants that its products are free from defects in material or workmanship under normal use and service for a period of one year from date of shipment from the factory. Murdock's liability under this warranty shall be discharged solely by repair or replacement of defective material, provided Murdock is notified in writing within the time periods described above.

This warranty does not cover installation or labor charges and does not apply to materials, which have been damaged by other causes such as mishandling or improper care or abnormal use. The repair or replacement of the defective materials shall constitute the sole remedy of the Buyer and the sole remedy of Murdock under this warranty. Murdock shall not be liable under any circumstances for incidental, consequential or direct charges caused by defects in the materials, or any delay in the repair or replacement thereof. This warranty is in lieu of all other warranties expressed or implied. Product maintenance instructions are issued with each unit and disregard or non-compliance with these instructions will constitute an abnormal use condition and void the warranty. Stainless steel must be protected on jobsite during construction and must be properly maintained after the water has been introduced into the water cooler or drinking fountain, or Murdock's limited warranty is void.

LIMITED EXPORT WARRANTY - One year on parts only.

Murdock™ assumes no responsibility for use of void or superseded data. © Copyright Murdock Mfg., City of Industry, CA Member of Morris Group International. Please visit www.murdockmfg.com for most current specifications.

COMPLIES WITH
STANDARDS



Test rating conditions are compliant with ARI 1010.



Member of
MORRIS GROUP
INTERNATIONAL

MURDOCK
15125 Proctor Ave.
City of Industry, CA
91746 U.S.A.
Phone 800-591-9360
626-336-4561
Fax 626-855-4894

www.murdockmfg.com



HAND WASHING STATION

INSTALLATION/MAINTENANCE INSTRUCTIONS

PRIOR TO INSTALLATION:

1. Read all installation instructions carefully, before proceeding.
2. Carefully remove fixture from packaging, preventing scratching or damage.
3. Unit is provided with six AA alkaline batteries.
4. Provide mounting surface, sufficient to support the fixture and loads on the fixture.
5. Provide rough-ins as shown on the roughing-in and dimensional drawing, including water supply, drain pipe and gravel drain well. (See rough-in details)
6. Completely flush water supply lines of all foreign debris, before connecting to the fixture.

INSTALLATION: (see drainage & mounting roughing-in for appropriate model)

1. Locate the unit over rough-ins on mounting pad, mark mounting holes in base flange.
2. Tilt the unit down on its side, next to the mounting location. Install 1/2" mounting anchors (by others). Optional -IAP (in-ground anchor plate) which is cast into the concrete, is available.
3. Make up 1-1/4" OD drain tube into the open ended DWV drain tube (by others). Connect the 1/2" male NPT fitting to a potable water supply. Then tilt the unit into place, making sure that the tubing is not pinched or kinked. Secure the base flange to the mounting pad.
4. Connect the battery pack to matching battery wire terminals. When connected the unit is active.
5. Test for leaks and proper operation, and then install the access panel.

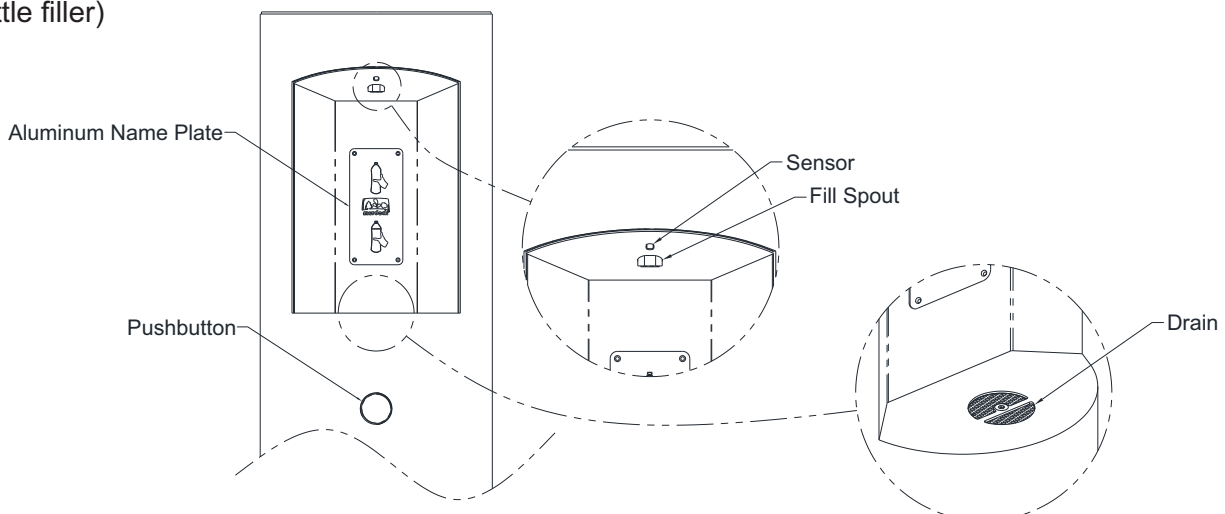
START UP:

Air within the bottle filler system or the structure supply piping will cause an irregular spout outlet stream until purged out by incoming water. Press and hold pushbutton until steady water stream is achieved.

OPERATION INSTRUCTIONS:

Hand operation: Hold container to be filled just below the filler tube in the center of the unit, then depress pushbutton. When the container is almost filled, release the pushbutton.

Sensor Operation: Hold container to be filled just below the sensor in the center of the filler spout and then move the container upward and water flow will start automatically. When the container is almost filled, lower the container below the sensor until the water stops flowing. (see label on the bottle filler)



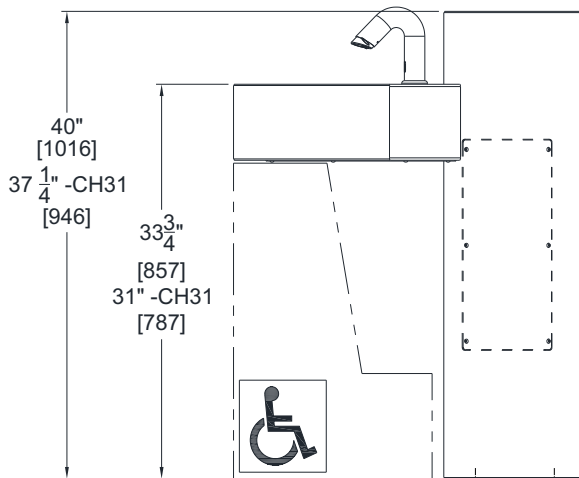
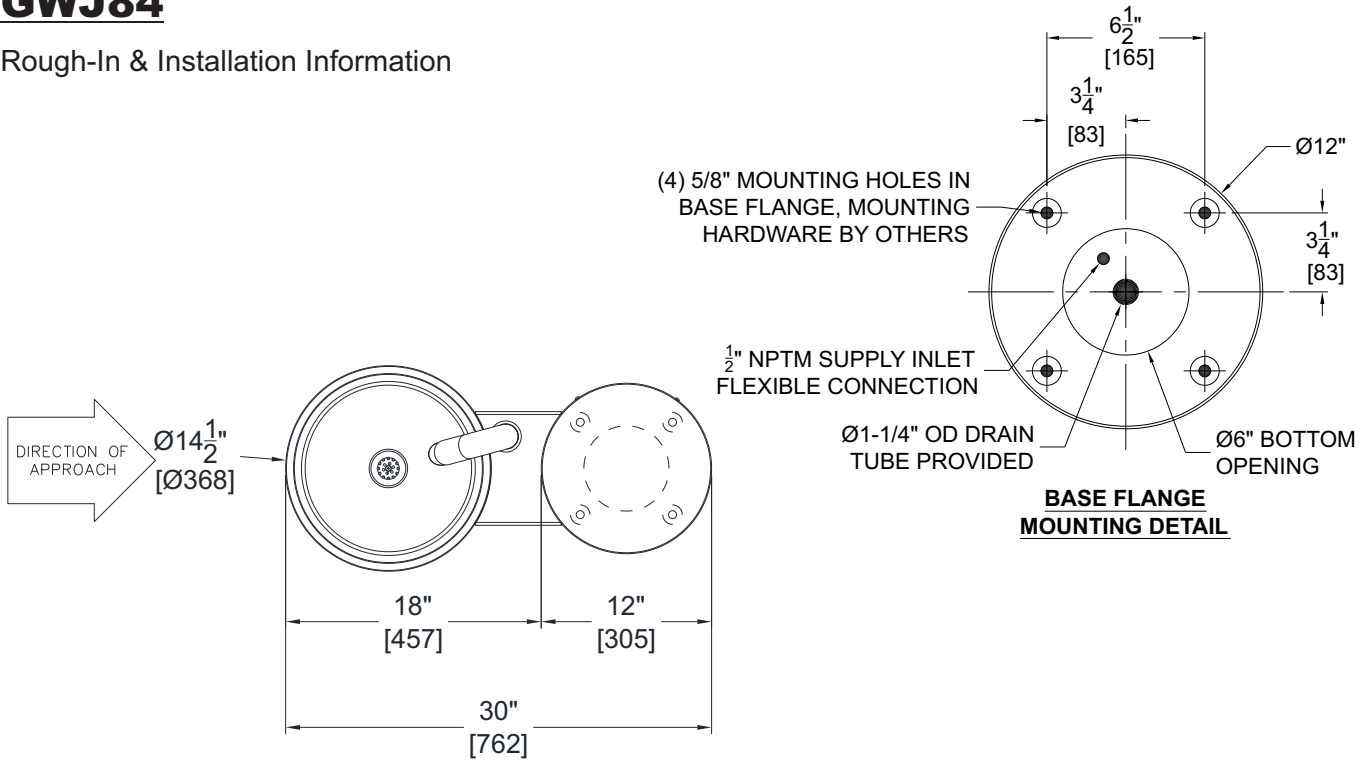


HAND WASHING STATION

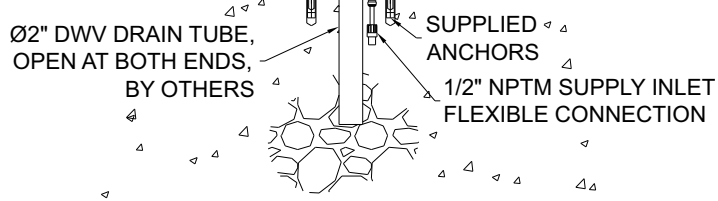
INSTALLATION/MAINTENANCE INSTRUCTIONS

GWJ84

Rough-In & Installation Information



- GENERAL NOTES:**
1. ALL DIMENSIONS ARE IN INCHES [MM].
 2. STOP VALVE NOT PROVIDED.
 3. REFER TO FEDERAL, STATE AND LOCAL CODE REQUIREMENTS FOR COMPLETE REQUIREMENTS AND CLEAR FLOOR SPACE NEEDED FOR COMPLIANCE. CLEARANCE BELOW HAND WASH BASIN DOES NOT CONFORM WITH CBC T24 (CALIF).





HAND WASHING STATION

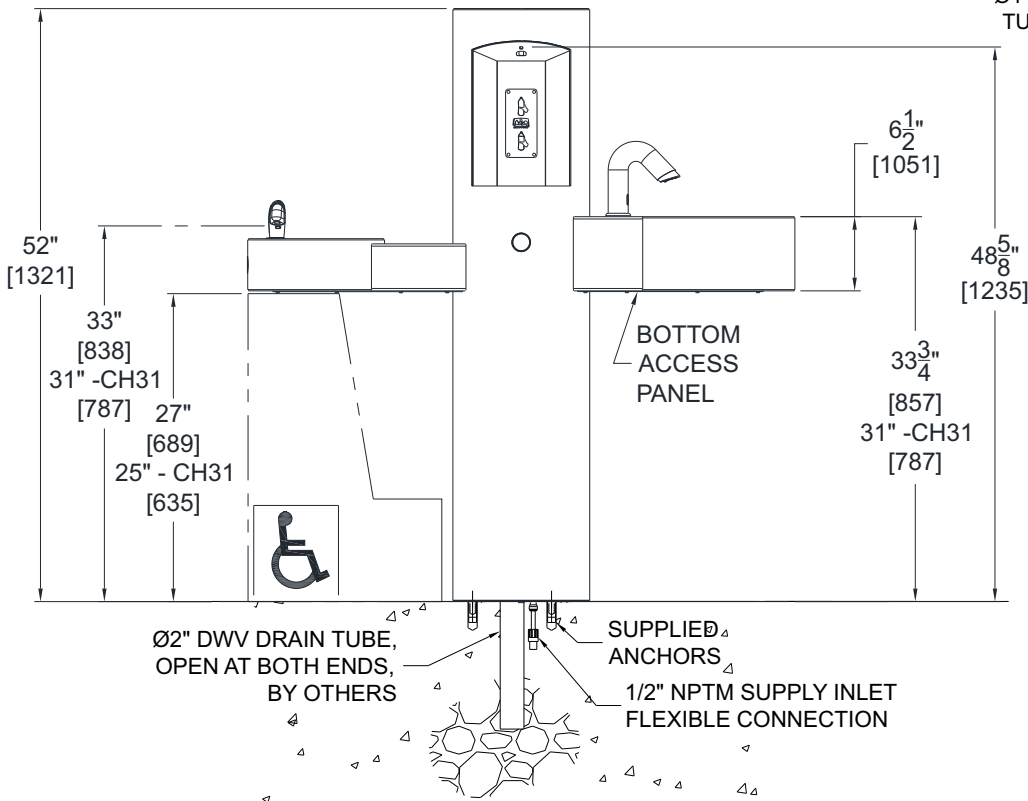
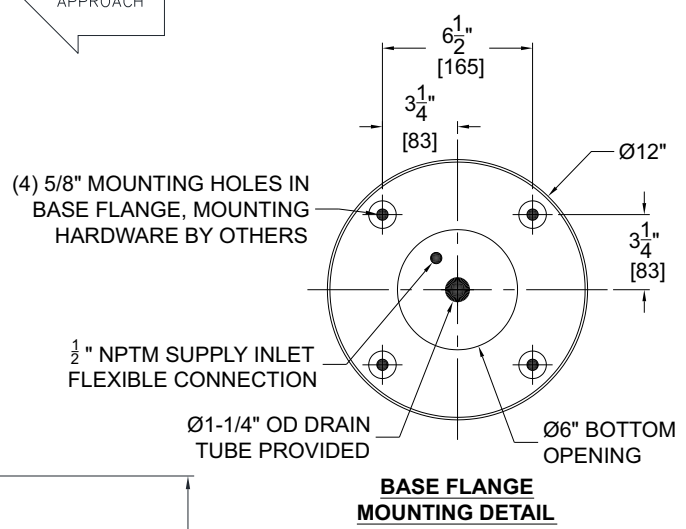
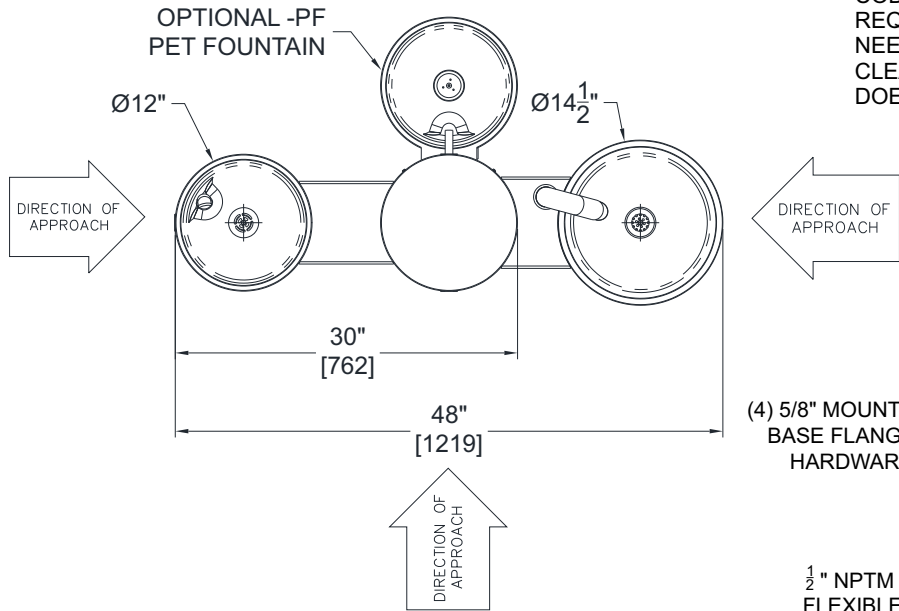
INSTALLATION/MAINTENANCE INSTRUCTIONS

GWQ84

Rough-In & Installation Information

GENERAL NOTES:

1. ALL DIMENSIONS ARE IN INCHES [MM].
2. STOP VALVE NOT PROVIDED.
3. REFER TO FEDERAL, STATE AND LOCAL CODE REQUIREMENTS FOR COMPLETE REQUIREMENTS AND CLEAR FLOOR SPACE NEEDED FOR COMPLIANCE. CLEARANCE BELOW HAND WASH BASIN DOES NOT CONFORM WITH CBC T24 (CALIF).

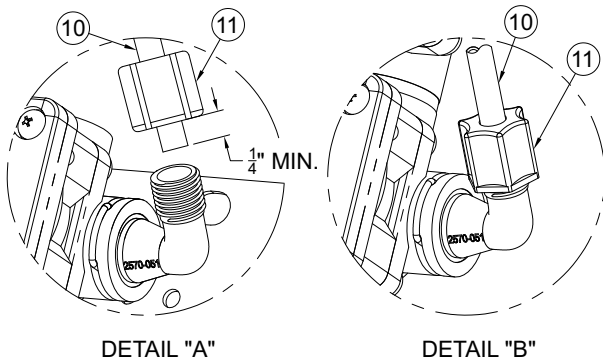
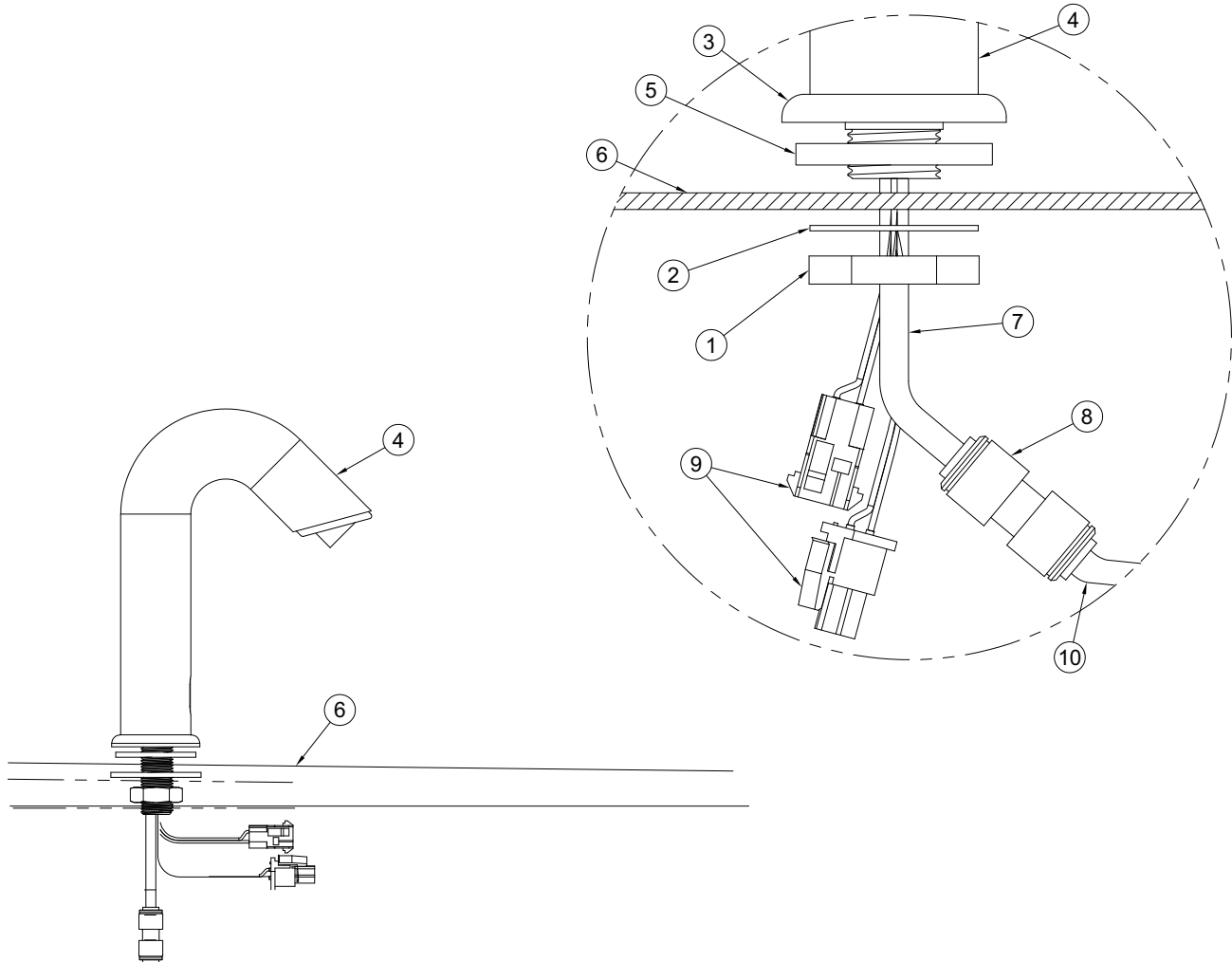




HAND WASHING STATION

INSTALLATION/MAINTENANCE INSTRUCTIONS

-SO-BAT WASH BASIN FAUCET INSTALLATION



INSTALLATION INSTRUCTIONS:

- A- REMOVE BRASS NUT ① AND WASHER ② FROM THE BASE ③ OF SPOUT ④. DO NOT REMOVE RUBBER GASKET ⑤.
- B- FROM ABOVE BASIN : MAKE SURE RUBBER GASKET ⑤ IS PROPERLY SEATED WITHIN THE BASE ③ OF SPOUT ④. FEED TUBE ⑦, UNION FITTING ⑧ AND SENSOR PLUGS ⑨ THRU PUNCHED OPENING. POSITION SPOUT ③ ON DECK ⑥ AND INSERT THRU THE DECK.
- C- FROM BELOW DECK ⑥ : REASSEMBLE BRASS NUT ① AND WASHER ② TO THE BASE ③ OF SPOUT ④. ENSURE THAT GASKET ⑤ SEALS PROPERLY BEFORE TIGHTENING.
- D- CONNECT POLYETHYLENE 1/4" O.D. WATER LINE ⑩ TO UNION FITTING ⑧. CONNECT TO THE FERRULE NUT ⑪ ON THE VALVE ASSEMBLY, AS SHOWN IN DETAIL "A" AND "B".



HAND WASHING STATION

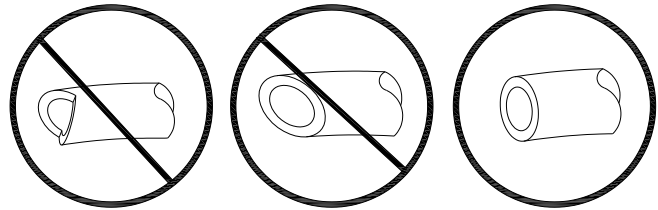
INSTALLATION/MAINTENANCE INSTRUCTIONS

PUSH-IN FITTING INSTALLATION

NOTE: FITTINGS AND TUBE SHOULD BE KEPT CLEAN, BAGGED AND UNDAMAGED PRIOR TO INSTALLATION.

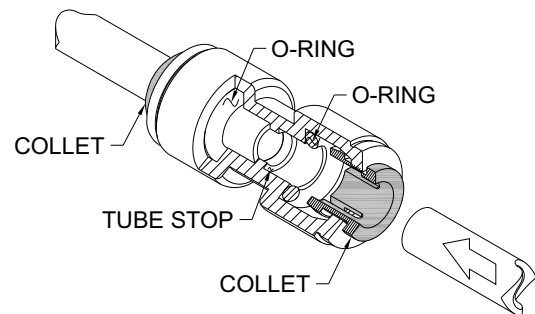
TO CUT TUBE:

Cut to fit length of 1/4" PE tubing and remove any burrs or sharp edges. Ensure that the outside diameter is free from score marks. Tube ends should be square.

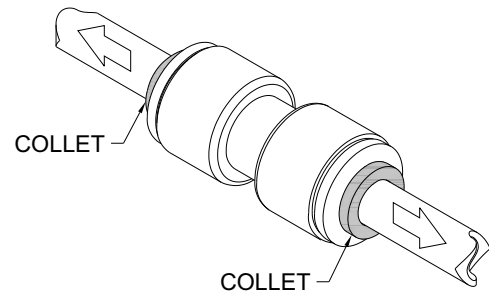


INSERTING THE TUBE:

1. Firmly and fully insert the tubing end into the push-in fitting up to the tube stop located approximately 1/2" deep.

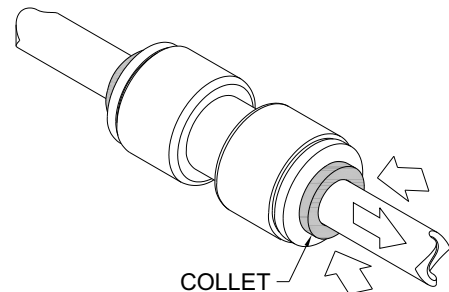


2. Pull on the fitted tubing to ensure it is secure. Tube should not come free from the fitting. Water test the connection assembly prior to leaving the site to ensure there are no leaks.



DISCONNECTING THE TUBE:

To disconnect the tube from the fitting ensure that the water line is depressurized. Push collet square towards the push-in fitting body and hold. While holding the collet in, pull on the PE tubing to remove from the push-in fitting.





HAND WASHING STATION

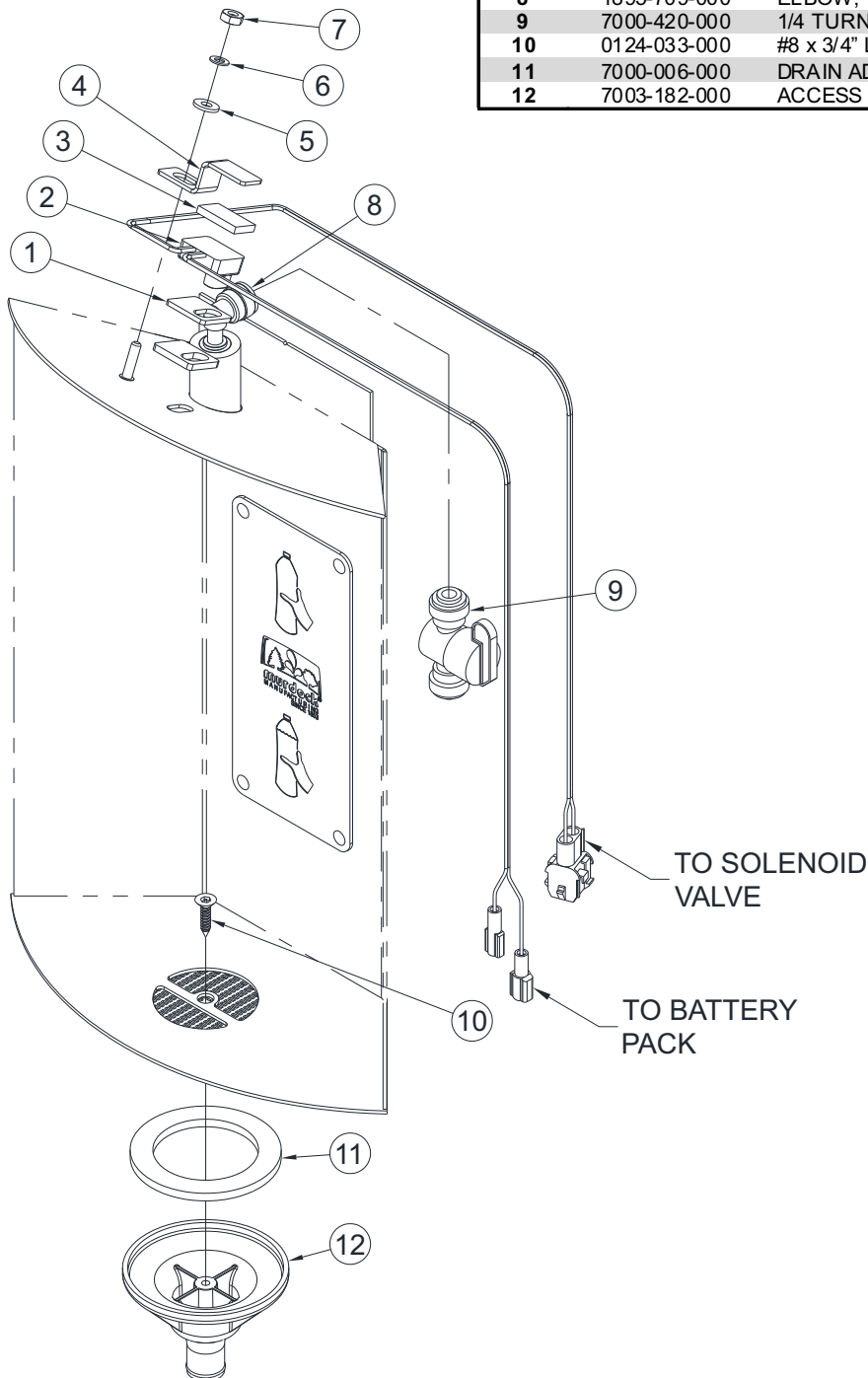
INSTALLATION/MAINTENANCE INSTRUCTIONS

GWQ84

BOTTLE FILLER ASSEMBLY:

Connections and Assembly,
Repair Parts

ITEM	PART NUMBER	DESCRIPTION
1	7013-013-199	NANO SENSOR SPACER
2	7013-057-002	NANO SENSOR, w/ WIRES
3	7013-019-199	FOAM TAPE, 7/8" x 1/2" x 1/8"
4	7013-010-199	NANO SENSOR BRACKET
5	0331-023-000	#8 FLAT WASHER, SS
6	6527-108-000	#8 LOCKWASHER, SS
7	0302-003-000	#8-32 UNF HEX NUT, SS
8	1895-709-000	ELBOW, 1/4" PUSH-IN x 1/4" STEM
9	7000-420-000	1/4 TURN SHUTOFF VALVE
10	0124-033-000	#8 x 3/4" LONG FLAT HD SELF-TAP SCREW
11	7000-006-000	DRAIN ADAPTER GASKET
12	7003-182-000	ACCESS DRAIN, BI-LEVEL, UPPER



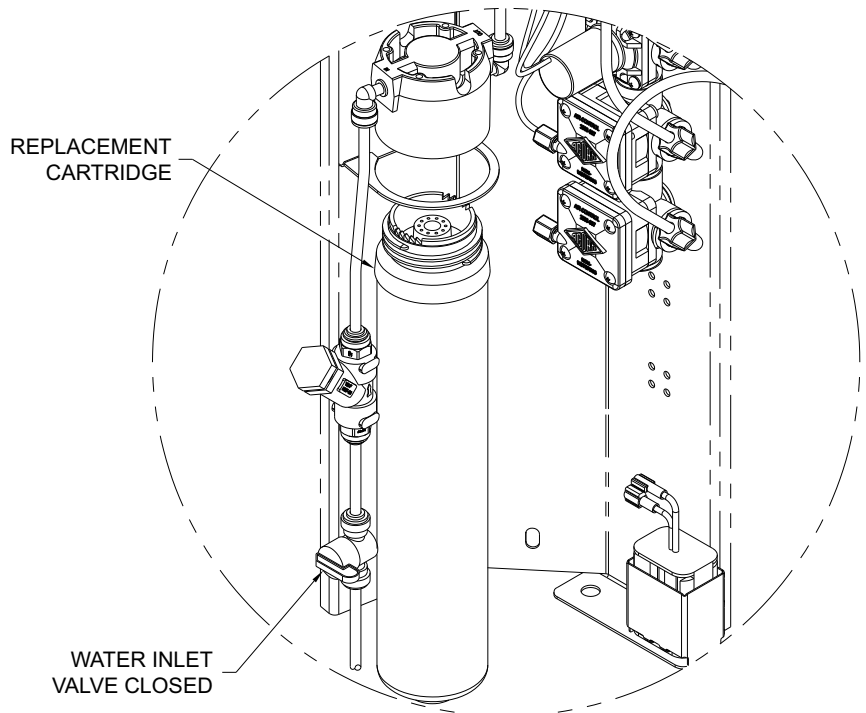
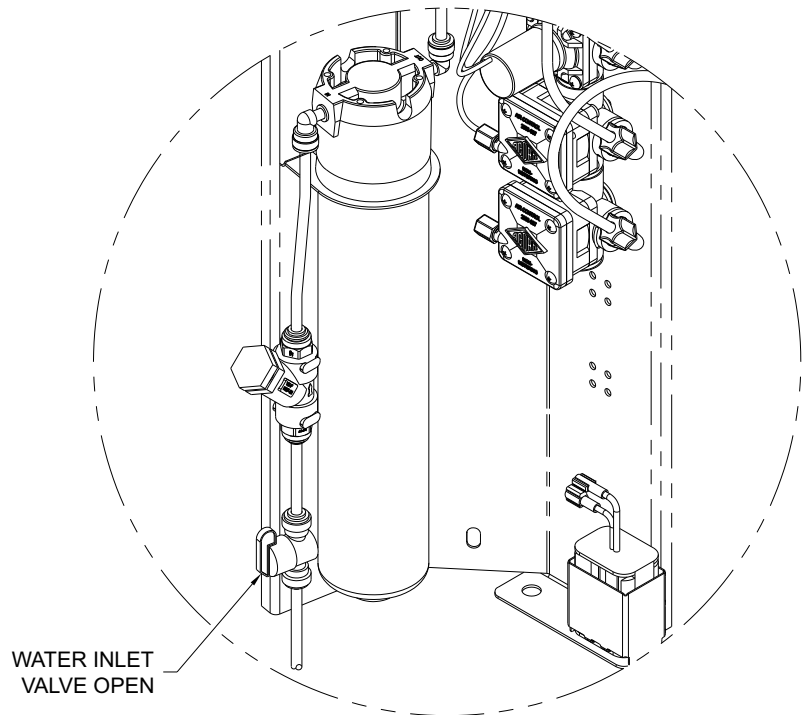


HAND WASHING STATION

INSTALLATION/MAINTENANCE INSTRUCTIONS

FILTER CARTRIDGE REPLACEMENT GWQ84 MODELS ONLY:

1. Unlock and swing bottle filler door open, this allows access to the filter and turn the inlet valve 1/4 turn clockwise to close.
2. Raise the filter assembly straight up about six inches and while holding the cap firmly, turn the replaceable cartridge filter counterclockwise to remove.
3. Remove and replace the cartridge turning clockwise to secure.
5. Turn inlet valve 1/4 turn counterclockwise to open and test for leaks and proper operation before closing access door.





HAND WASHING STATION INSTALLATION/MAINTENANCE INSTRUCTIONS

TROUBLESHOOTING:

1. RESTRICTED OR NO WATER FLOW:

- a. Ensure Water Supply service stop valve is fully open.
- b. Verify minimum 20 psig supply line flow pressure.
- c. Check for twist or kinks in spout tubing.
- d. Check the water inlet "Y" strainer. Sediment from the main supply can get trapped in the screen along with installation materials such as pipe dope and flux. The screen should be cleaned and checked on a regular basis and replace if needed.
- e. Flow control in solenoid valve outlet elbow clogged remove & clean.

SENSOR TROUBLESHOOTING:

1. IF LIGHT WITHIN SENSOR DOES NOT FLASH ONCE WHEN USER IS WITHIN RANGE:

- a. Verify 9VDC output of battery pack.
- b. Replace defective batteries.
- c. Sensor in "Security Mode" after 30 seconds of constant detection. Remove source of detection and wait 30 second before checking.
- d. Sensor is picking up a highly reflective surface. Eliminate cause of reflection and wait 30 seconds before checking.

2. IF LIGHT WITHIN SENSOR LENS FLASHES ONCE WHEN THE USER IS WITHIN RANGE:

- a. Repair bad connection from sensor to solenoid.
- b. There is debris or scale in the solenoid assembly. Remove solenoid, pull out plunger and spring. Clean with scale remover solution.
- c. There is debris or scale in center or two holes in convolution of the water diaphragm. Remove and clean.

CLEANING & MAINTENANCE GUIDE:

For Powder coated units: Units should be cleaned using a mild soap solution with a sponge or cotton cloth. Wipe down surfaces then rinse with clean water.

For Stainless steel units:

1. To remove water spots or rust spots, stainless steel cleaner/polish on a cloth is recommended.
2. If there are stubborn spots or if you wish to treat a scratch, synthetic abrasive general purpose pads such as scotch brite are recommended.
3. Apply stainless steel cleaner/polish to the synthetic abrasive pads and carefully rub the panel with the grain.
4. DO NOT use harsh chemicals, abrasive or petroleum based cleaners. Use of these will void the Murdock warranty. DO NOT use abrasives on powder coated units.
5. Stainless steel should be kept clean at all times. If a coating of stainless steel cleaner/polish is maintained, stainless steel surfaces will retain their new, clean & polished appearance indefinitely.
6. Periodically remove access panel of cooler and clean out inline "Y" strainer

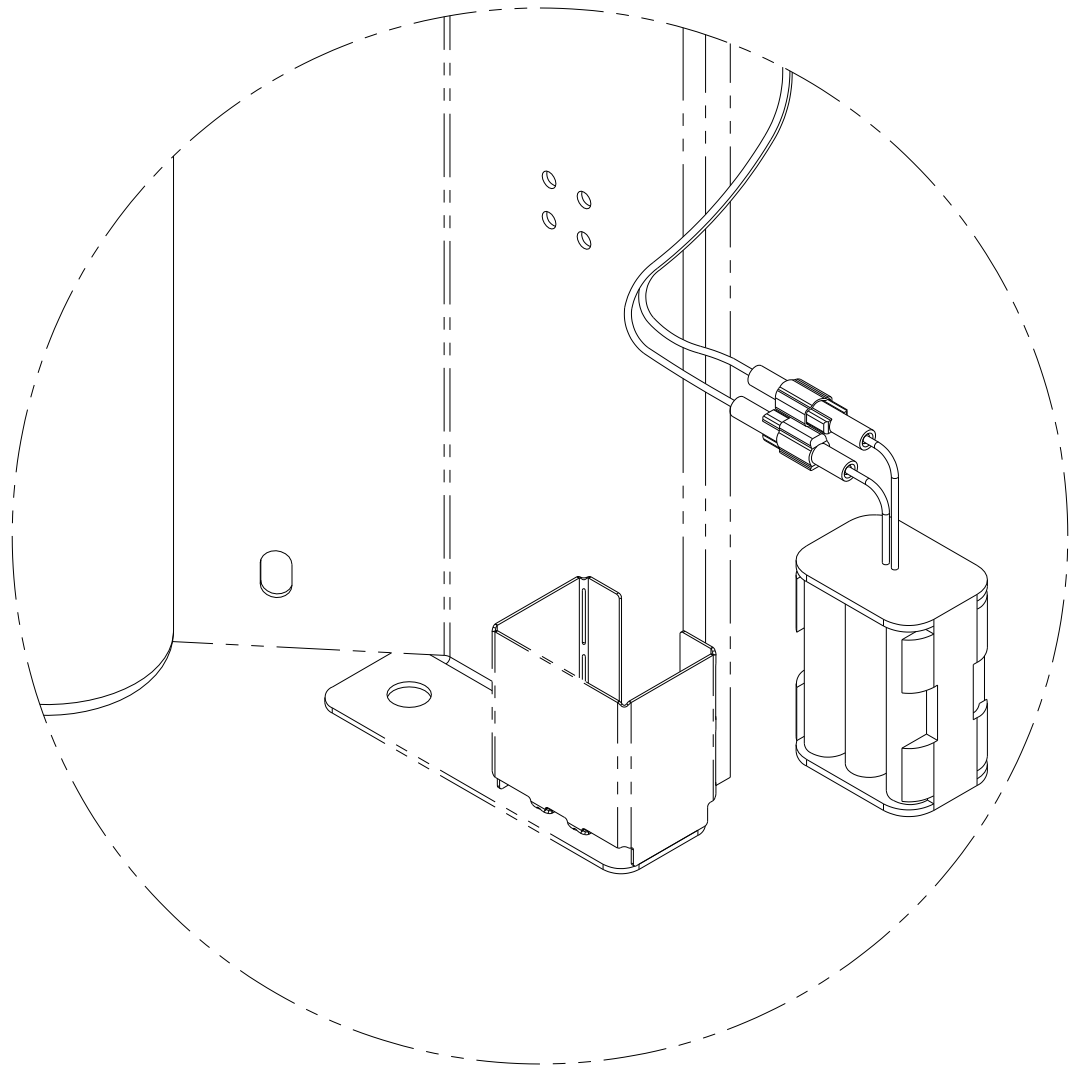


HAND WASHING STATION

INSTALLATION/MAINTENANCE INSTRUCTIONS

BATTERY REPLACEMENT:

1. Unlock and swing open bottle filler door and remove battery pack from placed location. Do not disconnect the wires from the battery pack unless necessary.
2. Replace the six alkaline AA batteries while observing polarity.
3. Return the battery pack back to mounted location and test for proper operation. Then close bottler filler door and lock.





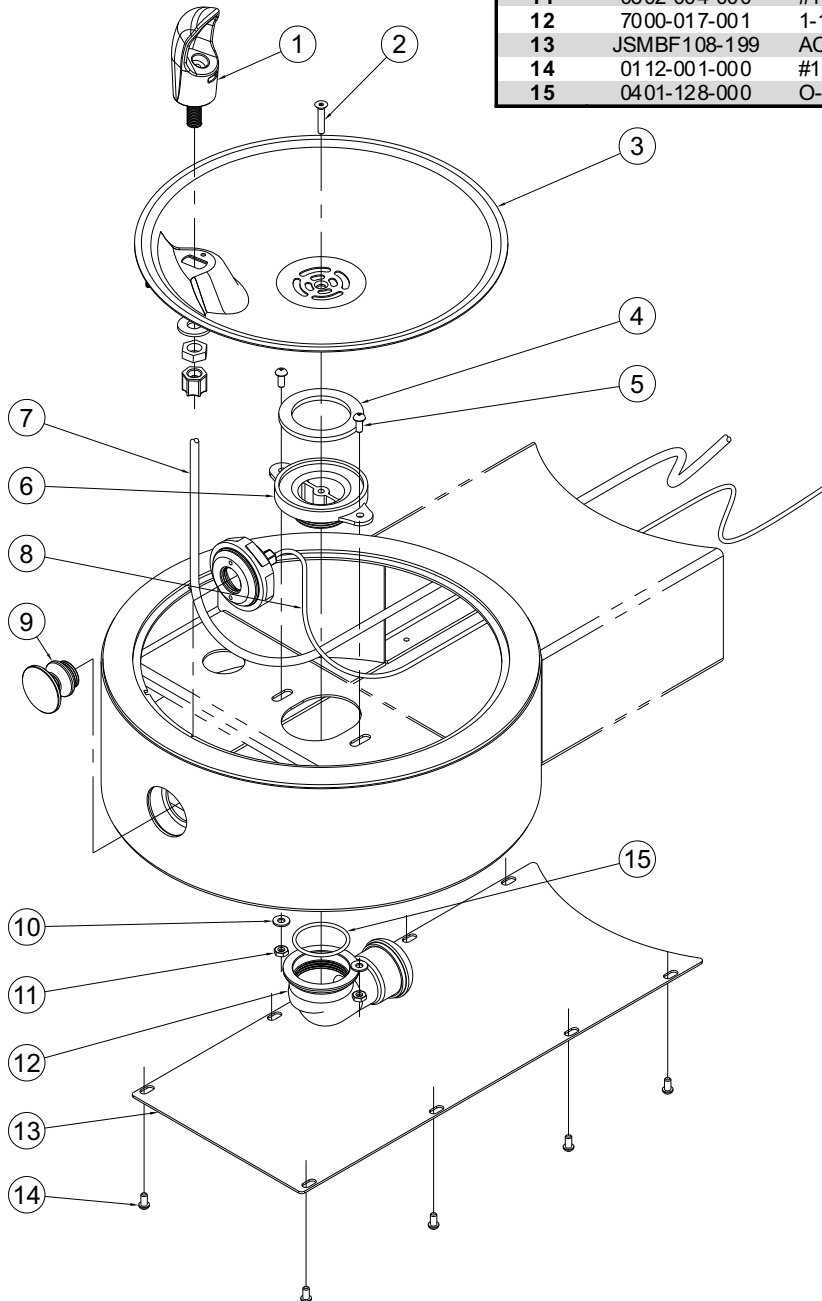
HAND WASHING STATION

INSTALLATION/MAINTENANCE INSTRUCTIONS

GWQ84

Drinking Fountain, Repair Parts

ITEM	PART NUMBER	DESCRIPTION
1	7000-012-001	DRINKING BUBBLER ASSY, 7/16-20 UNF, SS
2	0152-010-000	#10-32 UNF x 1" LONG HEX FLAT HEAD SCREW
3	7007-011-001	11" DIAMETER ROUND BOWL, SS
4	7000-006-000	FLAT FOAM ADAPTER GASKET
5	0116-003-000	#10-32 UNF x 1/2" LONG PHILLIPS HEAD SCREW
6	7000-005-199	1-1/4" NPSM DRAIN ADAPTER
7	2169-000-000	1/4" OD LDPE RISER TUBING
8	2150-000-000	1/8" OD LDPE AIR TUBING
9	7002-125-001	1-1/2" DIAMETER PUSHBUTTON ASSEMBLY
10	0331-004-000	#10 FLAT WASHER, SS
11	0302-004-000	#10-32 UNF HEX NUT, SS
12	7000-017-001	1-1/4" CLOSE ELBOW, SLIP JOINT
13	JSMBF108-199	ACCESS PLATE, ROUND SIDE MOUNT
14	0112-001-000	#10-32 UNF x 3/8" LONG HEX BUTTON HEAD SCREW
15	0401-128-000	O-RING, WASTE ADAPTER





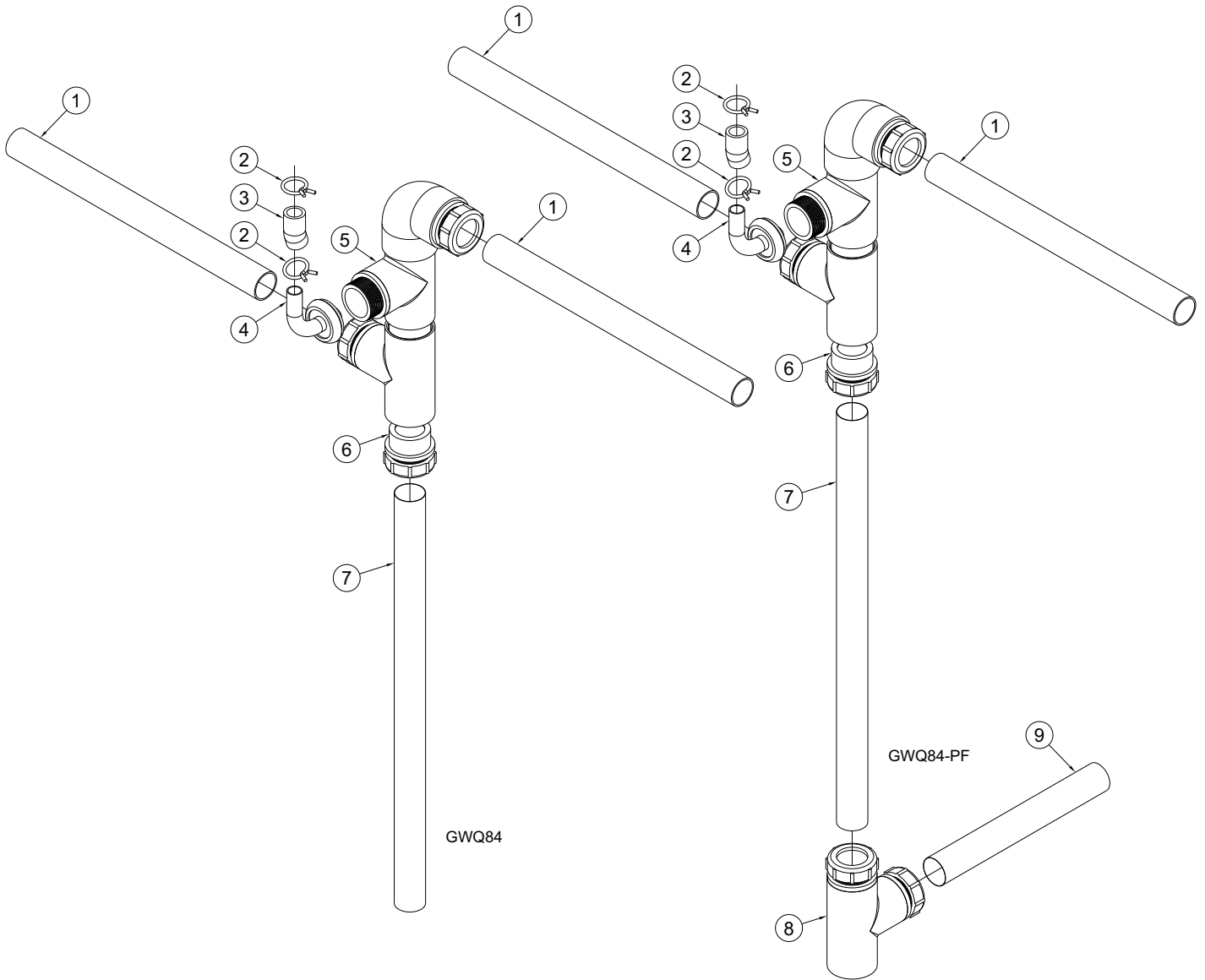
HAND WASHING STATION

INSTALLATION/MAINTENANCE INSTRUCTIONS

GYQ84 WASTE ASSEMBLY:

**Connections and Assembly,
Repair Parts**

ITEM	PART NUMBER	DESCRIPTION
1	JSMBF123-199	1-1/4" OD x 14-5/8" LONG DRAIN TUBE
2	7003-184-000	7/8" SPRING HOSE CLAMP
3	7003-183-000	ANSI/AHAM CERT FLEX HOSE, 5/8" x 7/8"
4	JSMBF114-003	1-1/4" OD TO 5/8" DRAIN FITTING
5	JSMBDF03-003	1-1/4" OD DOUBLE TEE & ELBOW ASSY
6	1802-100-000	1-1/4" SPIGOT BY COMPRESSION
7	JSMBF122-199	1-1/4" OD x 21-1/4" LONG DRAIN TUBE
8	7002-011-001	1-1/4" OD TEE ASSY
9	7000-109-199	1-1/4" OD x 9-1/4" LONG DRAIN TUBE





HAND WASHING STATION

INSTALLATION/MAINTENANCE INSTRUCTIONS

GYM74 WASTE ASSEMBLY:

Connections and Assembly, Repair Parts

ITEM	PART NUMBER	DESCRIPTION
1	7000-111-199	1-1/4" OD x 14" LONG DRAIN TUBE
2	7003-184-000	7/8" SPRING HOSE CLAMP
3	7003-183-000	ANSI/AHAM CERT FLEX HOSE, 5/8" x 7/8"
4	JSMBF119-002	1-1/4" OD TO 5/8" DRAIN FITTING
5	7002-018-001	1-1/4" OD TEE ASSY, BOTTLE FILLER
6	7000-112-199	1-1/4" OD x 20-1/2" LONG DRAIN TUBE
7	7002-011-001	1-1/4" OD TEE ASSY
8	7000-108-199	1-1/4" OD x 8-1/4" LONG DRAIN TUBE

