

WING NUT PLUG

DESIGN FEATURES

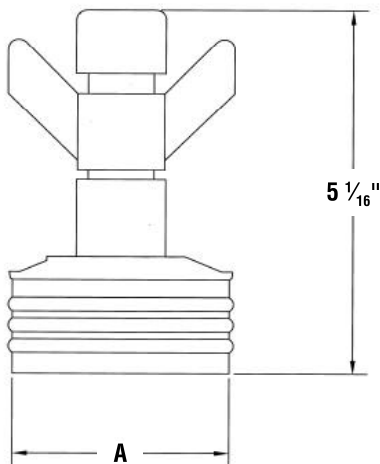
- Designed for testing ABS, PVC, and Cast Iron, DWV pipe
- Re-usable for greater economy
- No tools required; extra large wing nut makes it easy to hand tighten
- Triple O-ring design gives greater gripping power
- Cleans up with water
- Made in North America



MATERIAL SPECIFICATIONS

- Center constructed of thermoplastic rubber
- Body constructed of high impact plastic
- Color: Blue and Orange

DIMENSIONS



Part Number	A
P-0033	1-1/2"
P-0034	2"
P-0035	3"
P-0036	4"
P-0037	6"

Part Number	Description	Parts/Bag	MSTR CTN QTY/LBS
P-0033	1-1/2"	10	100
P-0034	2"	10	100
P-0035	3"	10	50
P-0036	4"	5	25
P-0037	6"	5	40

Product Submittal	
Job Name:	Date:
Part Number:	Quantity:
Architect:	
Contractor:	

Content matter is subject to change at any time. It is the user's responsibility to ensure the most updated revisions are obtained. Rev 2 2/2021