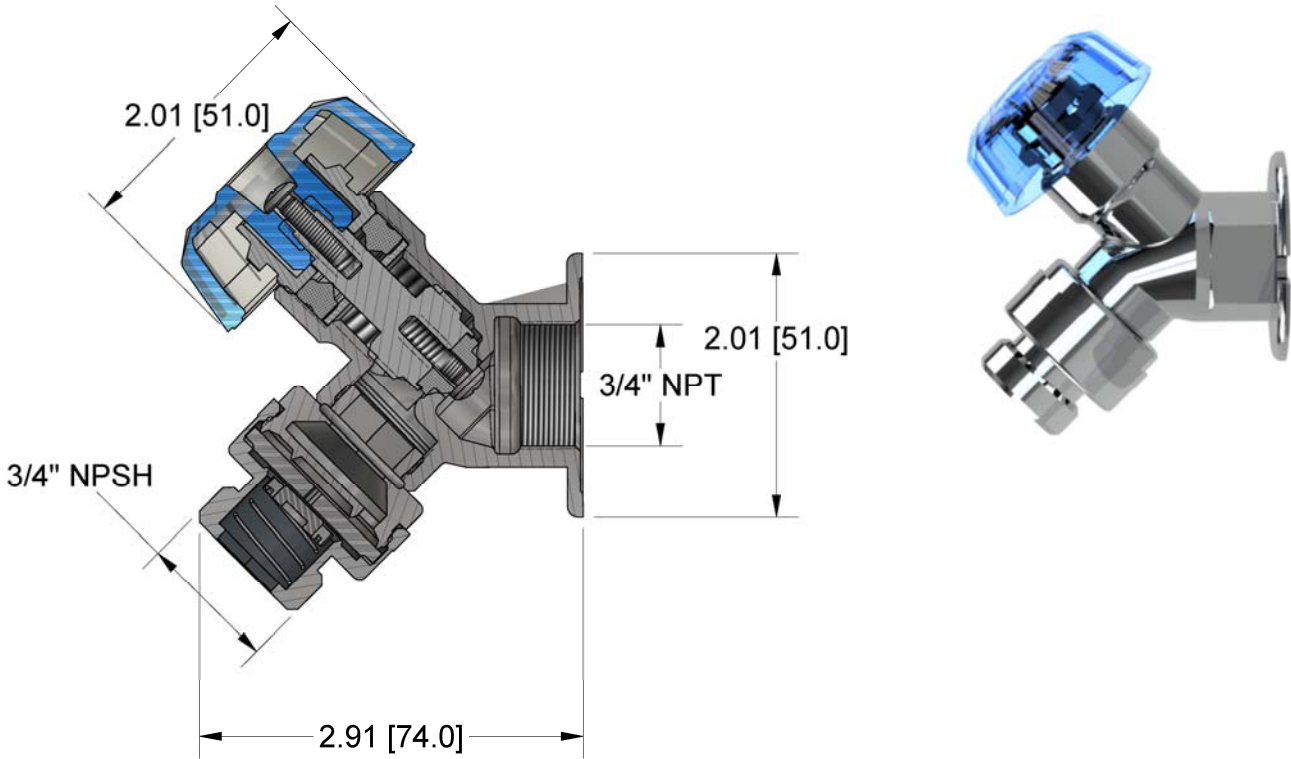


8605 Exposed Mild Temperature Hose Bibb

Project		Engineer		Mechanical	
---------	--	----------	--	------------	--



8607-1

8605	-RC Rough Chrome Plated	-PC Polished Chrome Plated	-3 Rough Bronze
•			

Suffix Options		
Suffix	Description	•
-WKHB	Repair Kit	
-88	3/4" Solder Inlet*	
-90	1" Hose Connection*	

Regularly Furnished: Mild Temperature wall hydrant with compression closure valve, 3/4" hose connection, & anti-siphon backflow preventer.

Maximum Working Pressure: 125 PSI

**Dimensions vary from illustration*