

Location: _____

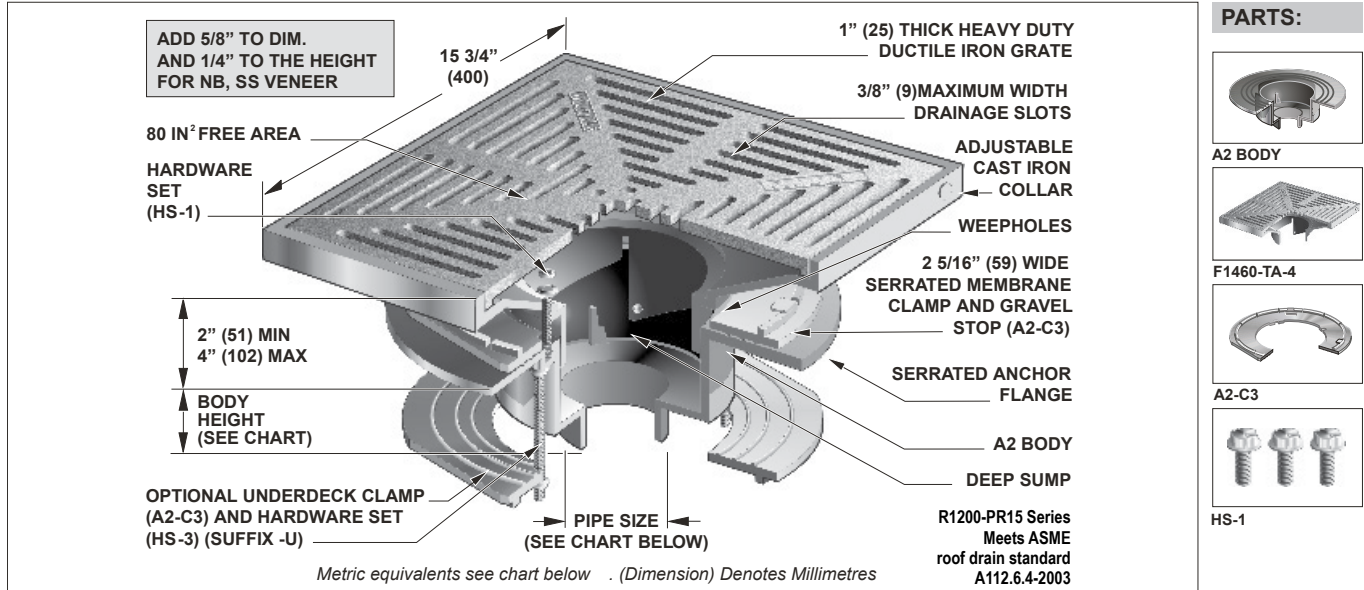


R1200-PR15

LARGE SUMP PROMENADE DECK DRAIN WITH 15" SQUARE TOP

Specification: MIFAB® Series R1200-PR15" lacquered cast iron deep sump roof drain with 15" diameter anchor flange, large cast iron waterproofing membrane clamp ring with integral gravel stop, square adjustable collar and standard 15" (381) square ductile iron tractor grate with 3/8" (9) maximum width drainage slots and a free area of 80 square inches.

Function: Used in flat roofs and decks designed for promenade or recreational areas. Large square top blends in with tile and brick patterns and has enough free area for efficient drainage of rainwater. Narrow, 3/8" (9) drainage slots prevent debris from entering the drain line. Extra wide anchor flange and membrane clamp with tongue in groove design provides for secure grip of membrane and roof flashing materials. Specify MIFAB's double adjustable extension (Suffix -15) to enable one to adjust the extension independent of the top assembly to the required height and position. This unique design permits one to align the square drain with the square tile or a brick pattern.



- PARTS:**
-  A2 BODY
 -  F1460-TA-4
 -  A2-C3
 -  HS-1

Note: Deck opening - 10" (254) with sump receiver 15 3/4" (400)

Note: When used in exterior areas and subject to rainfall, ensure that the free area is equal to twice the transverse (cross sectional) area of the connecting pipe.

PIPE SIZE	BODY HEIGHT				
	NO HUB (STANDARD)	PUSH ON (P)	THREADED (T)	INSIDE CAULK (X)	PVC (-30) / ABS (-31)
2" (51)	5 3/4" (146)	5 1/2" (140)	6 1/2" (165)	6 1/2" (165)	6 3/4" (171)
3" (76)	5 3/4" (146)	5 1/2" (140)	6 5/8" (168)	6 1/2" (165)	7 1/2" (191)
4" (102)	5 3/4" (146)	5 1/2" (140)	5 1/2" (140)	6 1/2" (165)	7 5/8" (194)
5" (127)	5 3/4" (146)	5 1/2" (140)	6 5/8" (168)	6 3/4" (171)	-
6" (152)	7 1/4" (184)	5 5/8" (143)	5 5/8" (143)	6 1/2" (165)	-
8" (203)	5 7/8" (149)	N/A	N/A	(A7-8X body)	-

- | SUFFIX | OPTIONAL VARIATIONS |
|--------|--|
| -1 | Nickel bronze (vener) |
| -3 | Stainless steel (vener) |
| -4 | Ductile iron grate (standard) |
| -5 | Sediment bucket |
| -6 | Vandal proof |
| -11 | Acid resistant epoxy coating |
| -12 | Galvanized metal dome |
| -12A | Galvanized body and membrane clamp |
| -13 | Galvanized body, membrane clamp and dome |
| -15 | Adjustable extension |
| -21 | Secondary flat stainless steel strainer (2", 3", 4") |
| -28 | Stainless steel body (Type 304) (2", 3", 4") |
| -30 | PVC socket connection body |
| -31 | ABS socket connection body |
| -90 | Threaded side outlet (2", 3", 4") |
| -90NH | No Hub side outlet (cast iron only) (2", 3", 4") |

- | SUFFIX | OPTIONAL VARIATIONS |
|------------|--|
| -95 | Client logo |
| (Standard) | No hub outlet |
| -B | Sump receiver |
| -BA | Buy America Act compliant product |
| -C | Membrane Clamp |
| -HC | Adjustable ballast guard with sec. clamp |
| -JC | S.S. ballast guard with secondary clamp |
| P | Push on outlet |
| -PA | Pennsylvania Steel Act compliant product |
| T | Threaded outlet (2", 3", 4") |
| -U | Underdeck clamp |
| -U3 | Underdeck clamp with cutaway side |
| -W-1 | Water proofing flange |
| X | Inside caulk outlet (2", 3", 4") |
| -XJ | Vertical expansion joint (see R1900) |
| -Z | Extended wide elastomeric flange |

CALIFORNIA PROPOSITION 65 WARNING. This product contains chemicals known to the State of California to cause cancer and birth defects or other reproductive harm.

Job Name: _____ Page No: _____

Section No: _____ Contractor: _____

Schedule No: _____ Purchase Order No: _____