

Location: \_\_\_\_\_

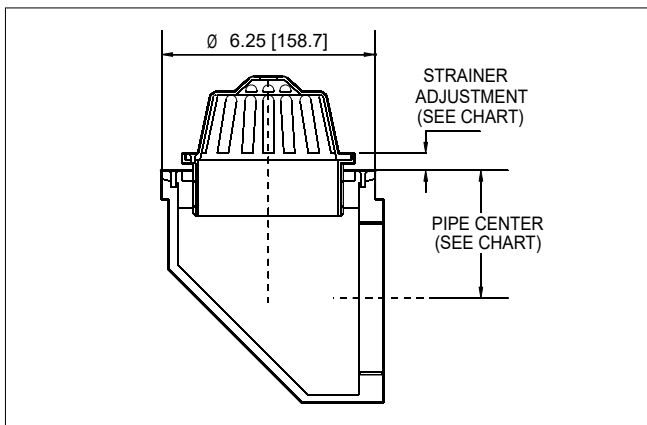
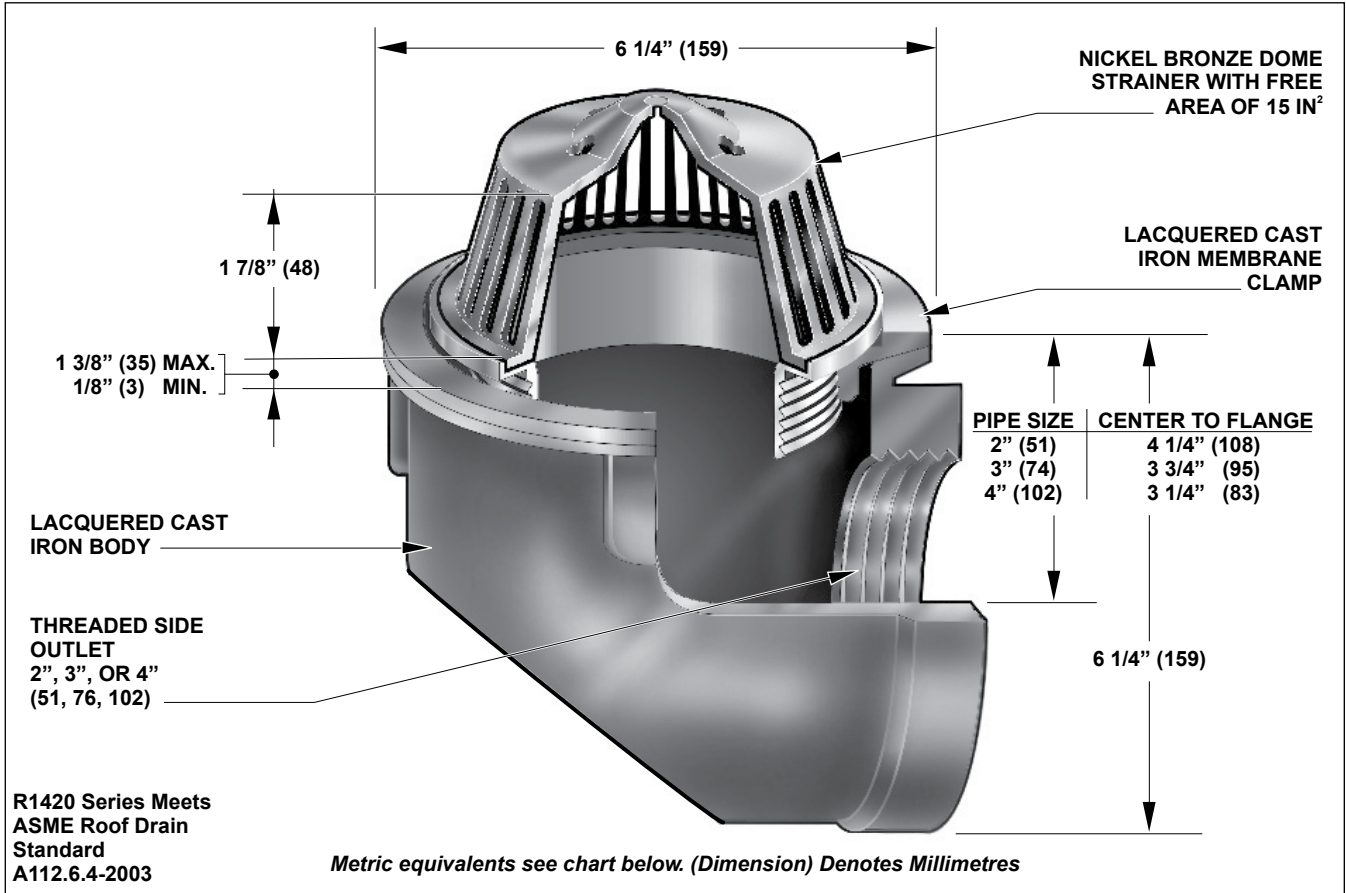


**R1420**

**BALCONY DRAIN  
WITH 90 DEGREE OUTLET**

**Specification:** MIFAB® R1420 lacquered cast iron balcony drain with adjustable nickel bronze dome strainer, membrane clamp ring, cast iron body and threaded side outlet.

**Function:** Used in balconies, cornices, parapets and other small overhanging areas to drain rain water. Membrane clamp is bolted to body to ensure easy removal of strainer without impacting membrane clamp and water proofing membrane.



SUFFIX	OPTIONAL VARIATIONS
-1	Nickel Bronze strainer (Standard)
-3	Stainless steel dome strainer
-3-14	Stainless steel flat grate
-6	Vandal proof dome
-11	Acid resistant epoxy coating
-13	Galvanized body, membrane clamp
-14	Flat grate
-50	Cast iron frame and grate
-83	Stainless steel mesh screen over dome
(Standard)	Threaded outlet (2", 3", 4")
-BA	Buy America Act compliant product
-HM	High dome (with DD extension)
-PA	Pennsylvania Steel Act compliant product

CALIFORNIA PROPOSITION 65 WARNING. This product contains chemicals known to the State of California to cause cancer and birth defects or other reproductive harm.

Job Name: \_\_\_\_\_ Page No: \_\_\_\_\_  
 Section No: \_\_\_\_\_ Contractor: \_\_\_\_\_  
 Schedule No: \_\_\_\_\_ Purchase Order No: \_\_\_\_\_