

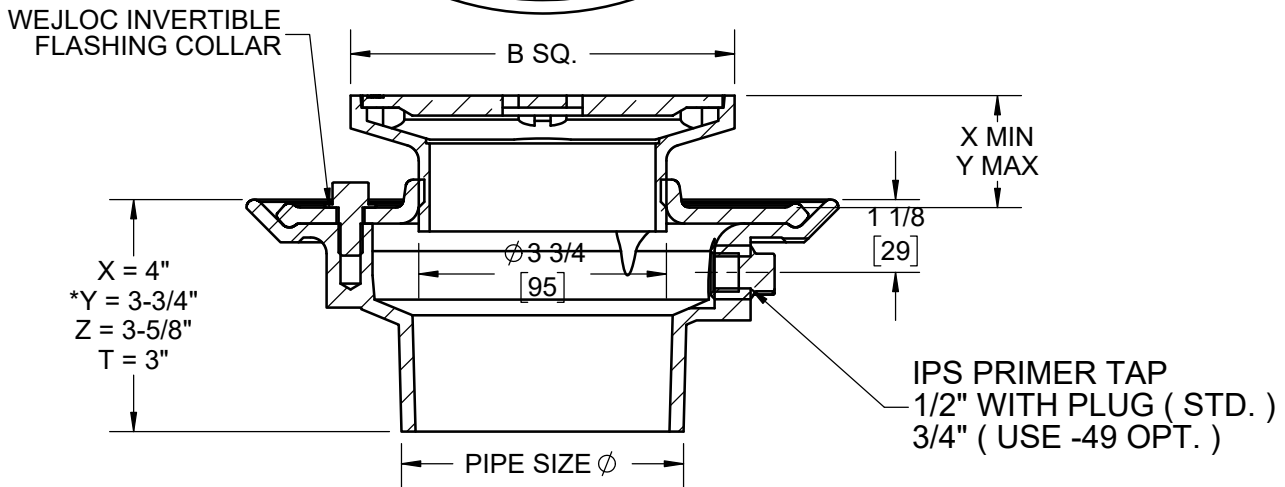
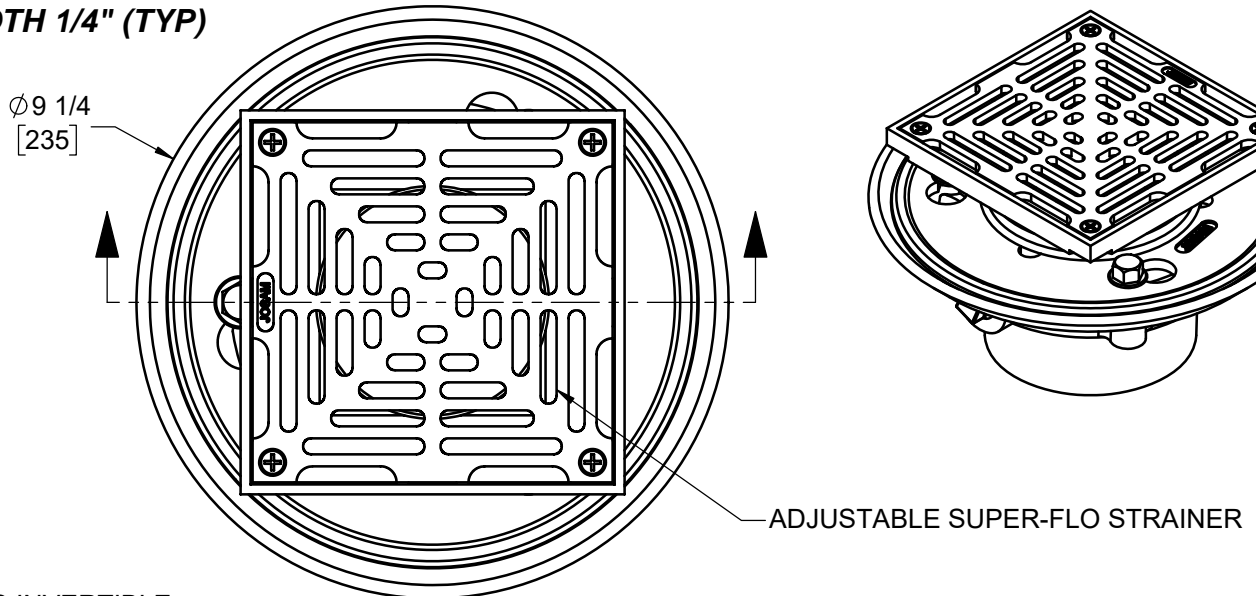
SPECIFICATION:

JOSAM SERIES 30000-S CAST IRON FLOOR DRAIN, TWO-PIECE BODY WITH DOUBLE DRAINAGE FLANGE AND 1/2" PRIMER TAP, WEJLOC® INVERTIBLE FLASHING COLLAR, WEEPHOLES, BOTTOM OUTLET CONNECTION AND NIKALOY ADJUSTABLE SQUARE SUPER-FLO® STRAINER. HEELPROOF AND ADA COMPLIANT.

**FLOOR DRAIN
ADJUSTABLE STRAINER**

SERIES **30000-S**

SLOT WIDTH 1/4" (TYP)



*GASKET ON -Y CONNECTION CONFORMS WITH ASTM-C564

	STRAINER	B	X	Y	FREE AREA
	-5S	5	7/8	1-7/8	9.1
	-6S	6	7/8	2-1/4	13.8
	-8S	8	1-1/4	2-1/2	24.5

2"	PIPE SIZE	-SS	STAINLESS STEEL TOP
3"	PIPE SIZE	-2	BRONZE ADJUSTABLE STRAINER
4"	PIPE SIZE	-CP	CHROME PLATED STRAINER
-TSO	THREADED SIDE OUTLET	-HD	HEAVY DUTY LOAD RATING (5S & 6S ONLY)
-WT	WITH TRAP	-J	BACKWATER VALVE
-PD	PRISON DRAIN	-VP	SECURED GRATE, VANDAL-PROOF SCREWS
-ARE	ACID-RESISTING EPOXY	-T	THREADED OUTLET
-49	3/4" PRIMER TAP	-X	INSIDE CAULK OUTLET
-91	ROUGH BRONZE BODY	-Y	HUB OUTLET WITH GASKET*
-92	GALVANIZED CAST IRON PARTS	-Z	NO-HUB SPIGOT OUTLET
-80	PERFORATED STAINLESS STEEL BASKET	-DBC	DEBRIS COVER

DATE OF LAST CHANGE: 07/23/18

DIMENSIONS ARE SUBJECT TO MANUFACTURERS TOLERANCES AND CHANGE WITHOUT NOTICE. WE CAN ASSUME NO RESPONSIBILITY FOR USE OF SUPERSEDED OR VOID DATA.



MICHIGAN CITY, INDIANA

NOTES

WARNING: Cancer and Reproductive Harm - www.P65Warnings.ca.gov