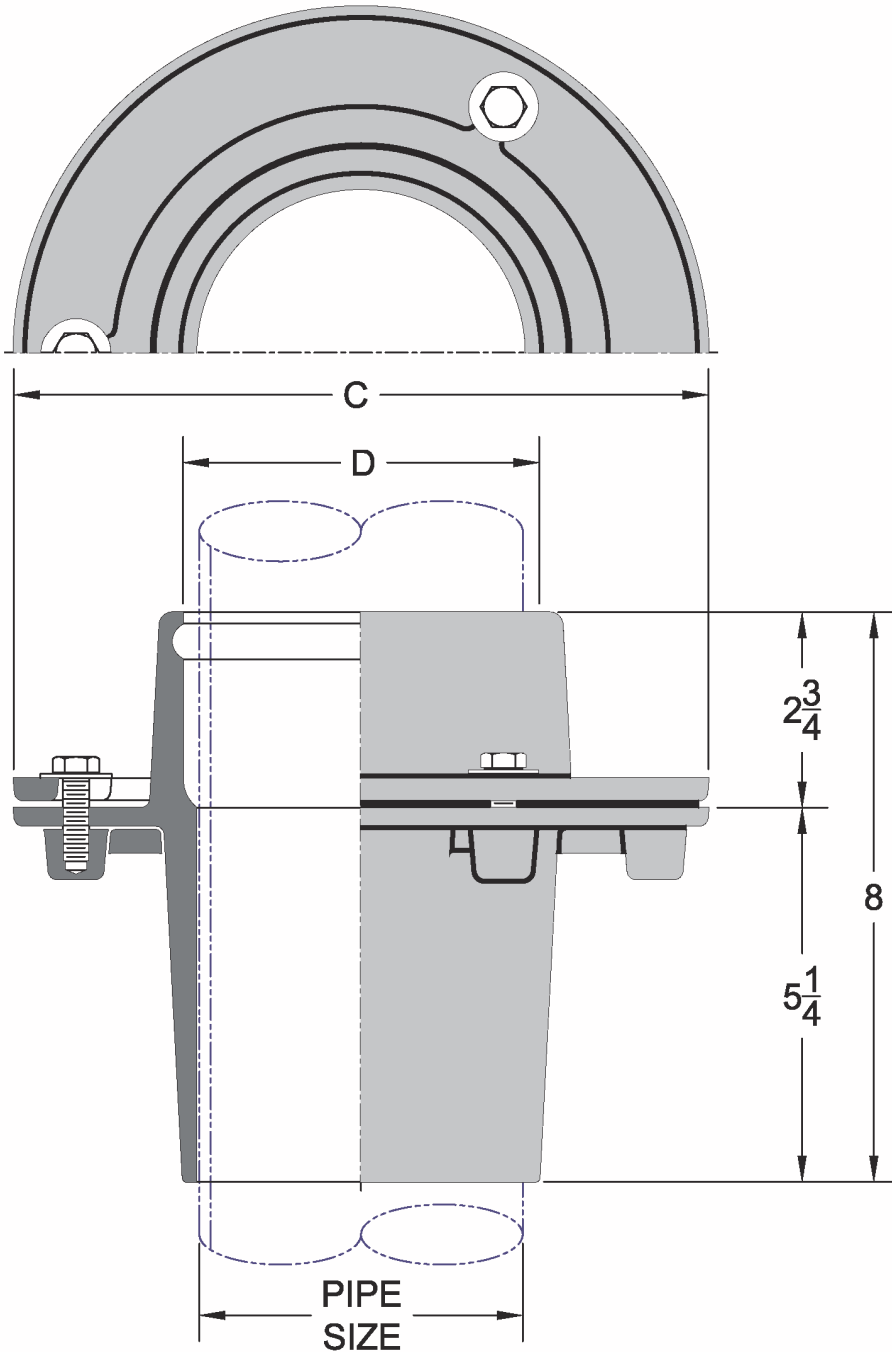


3600 Vent Stack Sleeve

Project	
Engineer	
Mechanical	



Dimensions (In.)		
Pipe Size	C	D
2"	9-3/4	3
3"	9-3/4	4
4"	9-3/4	5
5"	9-3/4	6
6"	13	7
8"	13	9-5/16

Outlet Size	•
2"	
3"	
4"	
5"	
6"	
8"	

Regularly Furnished: Cast iron vent stack sleeve with flange, flashing clamp, & top caulking hub.

Suffix Options		
Suffix	Description	•
-39	Galvanized Cast Iron	
-52	Bearing Pan (Sump Receiver)*	
-53	Under-Deck Clamp*	
-189	Bearing Pan w/ Clips * Securing Hardware *	

Outlet Variations	
Type	Designation
Inside Caulk	2IC,3IC,4IC,5IC,6IC,8IC

*Dimensions vary from illustration