



JAY R. SMITH MFG. CO.
 MEMBER OF MORRIS GROUP INTERNATIONAL
 POST OFFICE BOX 3237
 MONTGOMERY, ALABAMA 36109-0237 (USA)
 TEL: 334-277-8520 FAX: 334-272-7396 www.jrsmith.com



LOCATION

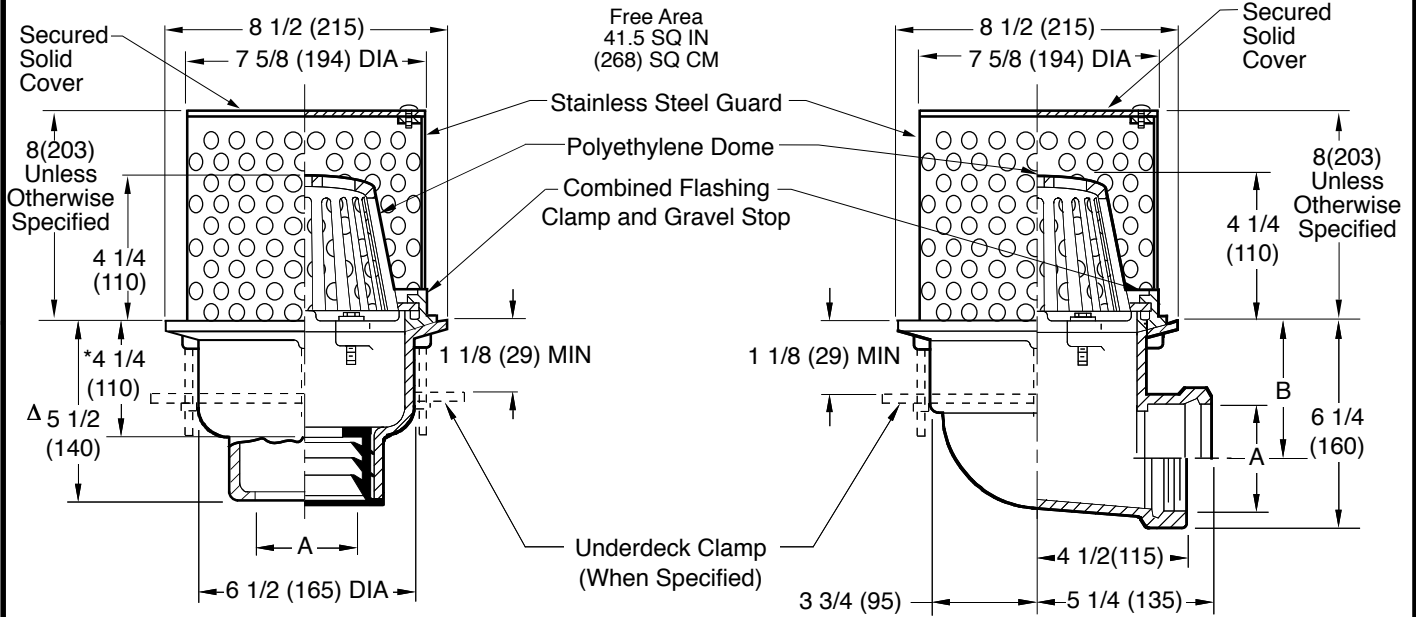
DRAWING NUMBER S1330
 SIZE A
 SCALE: NONE
 DATE: 4-8-13
 APPROVED BY: TWK
 CHECKED BY: TK
 DRAWN BY: TBW
 FIGURE NUMBER 1940, 1950

WE CAN ASSUME NO RESPONSIBILITY FOR USE OF SUPERSEDED OR VOID DATA
 DIMENSIONS ARE SUBJECT TO MANUFACTURERS TOLERANCE AND CHANGE WITHOUT NOTICE

GREEN ROOF DRAINS/PLANTER DRAIN

8 1/2" (215) DIAMETER - LOW PROFILE DOME

FUNCTION: Used in flat roofs, gutters or valleys of any construction. Small diameter pan is particularly adaptable to gutters and valleys where limited space is available. Flashing clamp holds flashing and roofing materials without puncturing. Low profile dome provides sufficient free area for quick drainage of rain water and protects the drain sump and connected piping from the intrusion of debris.



- Fig. 11940C CAULK OUTLET
- Fig. 1940Y NO-HUB OUTLET

*This Dimension to Internal Stop of Speedi-Set Gasket.

- Fig. 1950C CAULK OUTLET
- Fig. 1950T THREADED OUTLET

A (Pipe Size) = 02(50), 03(75) or 04(100)

recommended deck opening

with suffix -R	9(230) DIA
less suffix -R	7 3/4(195) DIA

Δ Same for Caulk, NO-HUB and Speedi-Set, 4 1/4(110) for Threaded.

A SIZE	02 (50)	03 (75)	04 (100)
B	4 1/2 (115)	4 (100)	3 1/2 (89)

REGULARLY FURNISHED:
 Duco Cast Iron Body with Combined Flashing Clamp and Gravel Stop with 3/8" DIA. Opening and Secured Solid Cover with Polyethylene Dome.

- VARIATIONS:**
- Expansion Joint (Specify Fig. 1710) (Fig. 1330 only)
 - "L" Shaped Underdeck Clamp -CL
 - L Speedi-Set Service Weight (Fig. 1940 only)
 - LXH Speedi-Set Extra Heavy (Fig. 1940 only)
 - NO-HUB Adaptor (Specify Fig. 2646Y) (Fig. 1950 only)
 - Sump Receiver -R
 - Underdeck Clamp -C
 - Vandal Proof Dome -U
 - T Threaded Outlet

- OPTIONAL MATERIALS:**
- Aluminum Dome -AD
 - Cast Iron Dome -CID
 - Galvanized Cast Iron Body & Collar -G
 - Galvanized Cast Iron Dome -CIDG
 - Rough Bronze Dome -RBD

NOTE: Dimensions shown in parentheses are in millimeters.

REV.	DATE	DESCRIPTION	BY	CKD. BY
A	9-21-16	Revised Dimensions, Reg. Furn.	TBW	BW

WEIGHT POUNDS	VOLUME CUBIC FEET

FIGURE NUMBER
1940, 1950