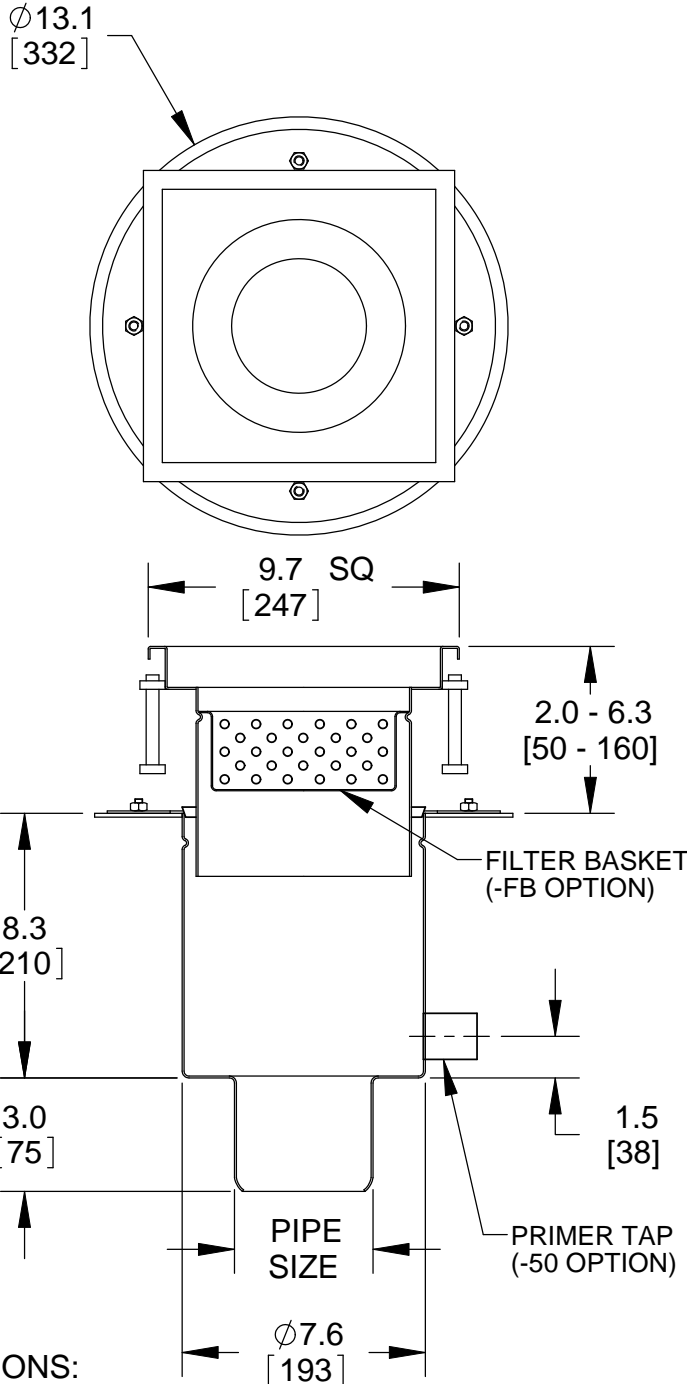


SPECIFICATION:

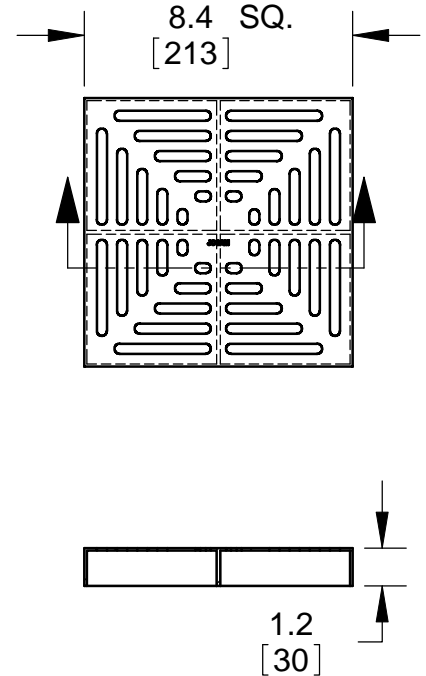
JOSAM SERIES 43570 FABRICATED STAINLESS STEEL (TYPE 304), 10" SQUARE TOP, ADJUSTABLE DEPTH, WITH NO-HUB BOTTOM OUTLET, LEVELING FEET, MEMBRANE CLAMP AND PERFORATED SS GRATE (STANDARD).

SS DRAIN
10" SQUARE TOP, ADJUSTABLE

SERIES **43570**



STANDARD GRATE
FREE AREA = 20.2 IN²
MEETS ADA AND HEEL-PROOF REQS.



OPTIONS:

-FB	FILTER BASKET
-SB	SEDIMENT BUCKET
-VP	SECURED GRATE
-SO	SIDE OUTLET
-50	1/2" PRIMER TAP
-T	THREADED OUTLET
-BW	BUTT-WELD OUTLET (SPEC. 10, 40, 80)

-NG	NO GRATE
-HG	PERF. HALF GRATE
-3Q	PERF. 3/4 GRATE
-MG	MESH, ANTI-SLIP GRATE
-LG	LADDER GRATE
-SG	PERIMETER SLOT GRATE
-316	TYPE 316L MATERIAL

MODEL	PIPE SIZE
43572	2"
43573	3"
43574	4"

DATE OF LAST CHANGE: 07/14/10

DIMENSIONS ARE SUBJECT TO MANUFACTURERS TOLERANCES AND CHANGE WITHOUT NOTICE. WE CAN ASSUME NO RESPONSIBILITY FOR USE OF SUPERSEDED OR VOID DATA.

JOSAM COMPANY
MICHIGAN CITY, INDIANA

NOTES