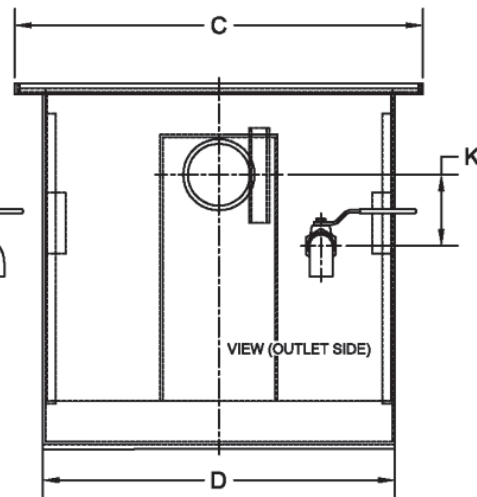
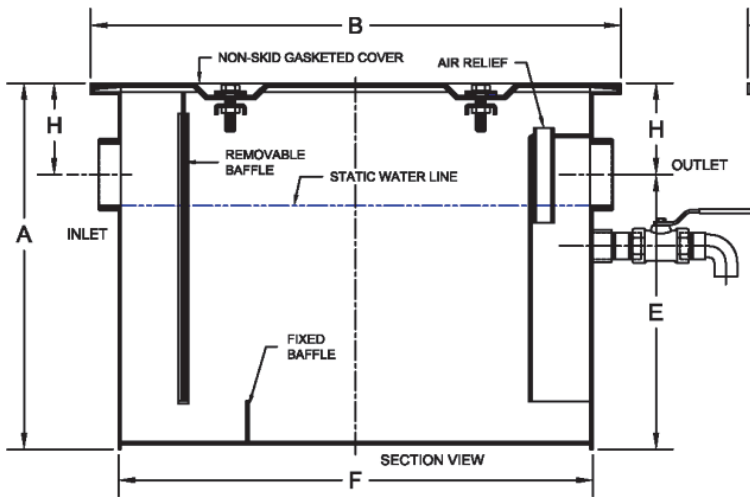
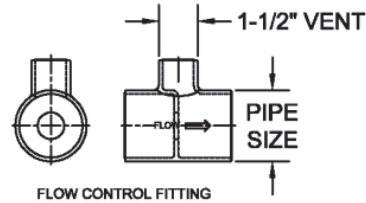
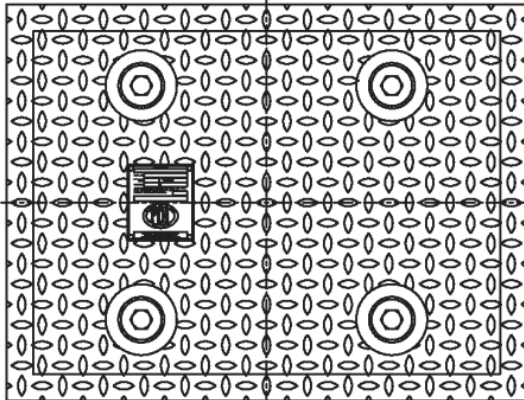


5102 Semi-Automatic Grease Interceptor

Project	
Engineer	
Mechanical	



Dimensions (In.)										
Flow Rate (GPM)	Grease Capacity (Lbs)	Liquid Capacity (Gal)	A	B	C	D	E	F	H	K
7	14	5.4	12 1/8	18 3/16	13	10 1/4	8 5/8	15 1/4	3 1/2	2 1/4
10	20	7.3	13 1/4	20 1/8	14 3/4	12 3/8	9 3/4	17 3/8	3 1/2	2 1/2
15	30	11.0	13 1/4	25	17	16 1/4	9 1/4	22 1/4	4	2 1/2
20	40	12.6	13 1/4	27	18 3/4	16	9 3/4	24 1/4	3 1/2	2 1/2
25	50	19.8	18 1/2	26	20	17 1/4	14	23 1/4	4 1/2	3
35	70	28.6	22 1/2	28 3/4	20	17 1/4	18	25 3/4	4 1/2	3
50	100	37.4	22 1/2	30	24	21 1/4	18	27 1/4	4 1/2	3
75	150	57.1	23 3/8	34 5/8	30 5/8	27 7/8	17 1/2	31 7/8	5 7/8	3
100	200	106.2	27 5/8	41 3/8	35 5/8	32 7/8	22	38 5/8	5 5/8	3

•	Size GPM	Inlet Outlet
	7	2IPS/2NH
	10	2IPS/2NH
	15	2IPS/2NH
	20	3IPS/3NH
	25	3IPS/3NH
	35	4IPS/4NH
	50	4IPS/4NH
	75	4NH

Regularly Furnished: Fabricated A.R.C. steel, semi automatic grease interceptor with removable baffles, gasketed cover, & external flow control fitting.

Suffix Options		
Suffix	Description	•
-FH	Housing w/ Adjustable Cradle *	
-FHT	Full Housing w/ Adjustable Housing *	
Outlet Variations		
-NH	No-Hub	
-IPS	Female Threaded	

*Dimensions vary from illustration