

A152-VR Series

MODEL A152400S-VR

BARRIER FREE, VANDAL RESISTANT, BI-LEVEL, WALL MOUNTED DRINKING FOUNTAIN WITH 32" TRIM PANEL

STANDARD FEATURES

- Child Or Adult Ada Compliant (When Properly Installed)
- 18 Gauge, 304 Stainless Steel Basin And Flush Mounted Chrome Plated Brass Button
- Polished Stainless Steel, Anti-rotation, Non-squirt Bubbler
- 100-mesh Inlet Strainer
- Vandal Resistant Screws
- P-trap
- Mounting Plate With Hardware
- 32" Trim Panel



Model A152400S-VR Shown

SUGGESTED SPECIFICATIONS

Model A152400S-VR is a Vandal Resistant wall mounted, Bi-Level Drinking Fountain made from 18 gauge, 304 stainless steel with a brushed finish. Unit shall be activated by chrome plated brass Pushbutton using less than 5 pounds of force. Bubblers shall be polished stainless steel with non-squirt features and operate on a water pressure range of 20-105 PSIG. Unit shall have uniquely designed, two-piece contoured Bowls with P-Traps integral to the unit. Unit is certified to ANSI A117.1, Public Law 111-380 (NO-LEAD), CHSC 116875 and NSF/ANSI 61, Section 9. Fixture meets ADA, ADA Standing Person, and ADA Child requirements when mounted appropriately.

MODEL:

(Must Specify)

FLEXIBLE BUBBLER (LOW FLOW)

- A152200F-VR Bronze Finish
- A152300F-VR Gold Finish (High Polish)
- A152400F-VR Satin stainless Finish

LEAD-FREE STAINLESS STEEL BUBBLER

- A152200S-VR Bronze Finish
- A152300S-VR Gold Finish (High Polish)
- A152400S-VR Satin stainless Finish (Shown)

OPTIONS

(additional costs may be incurred)

- AP3 Access panel for a dual fountain **(Must select -MF8)**
- W32-CSC Concealed support carrier
- HP High polished stainless steel
- MF8 Mounting frame for a dual fountain
- RBL Reverse bi-level
- SK3-18 Skirt kit, stainless steel, for upper unit
- WF1 1500 gallon capacity, NSF 42+53, 1 micron lead reduction filter **(See Note *)**
- WF3 3000 gallon capacity, NSF 42+53, 1 micron lead reduction filter **(See Note *)**
- A9100080-A 8 GPH Remote Water Chiller (Recommended to be with 10 Feet of Fixture)

*** NOTE: For Optional -WF1 And -WF3:**
Optional -AP3 Is Recommended Or Filter Shall Be Remotely Locate.

Complies with the following standards:



Federal Public Law 111-380 (No Lead)



Member of U.S. Green Building Council



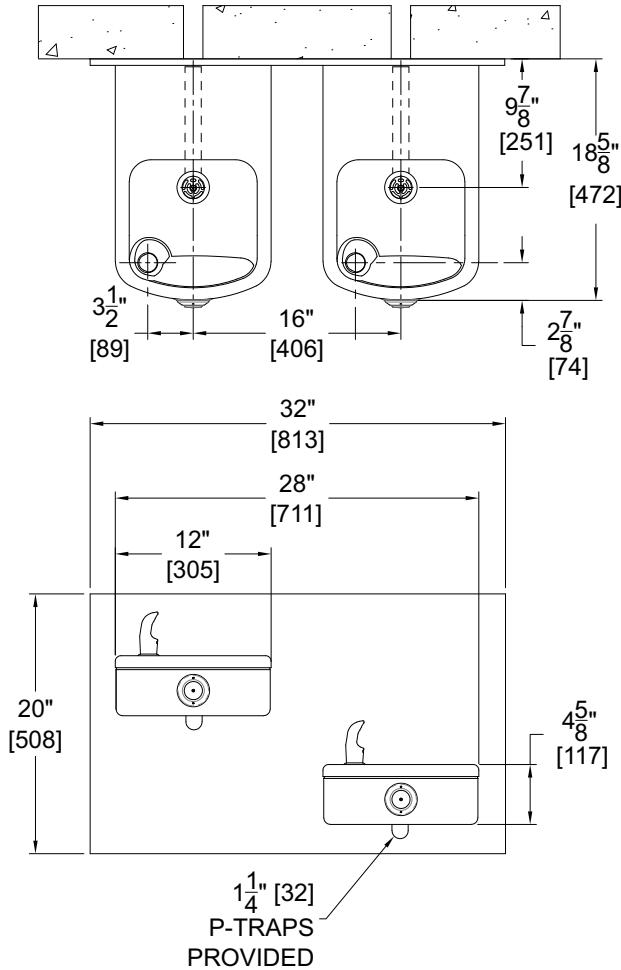
Recyclable Product

Water Conserving Product

WARNING: Cancer and Reproductive Harm - www.P65Warnings.ca.gov

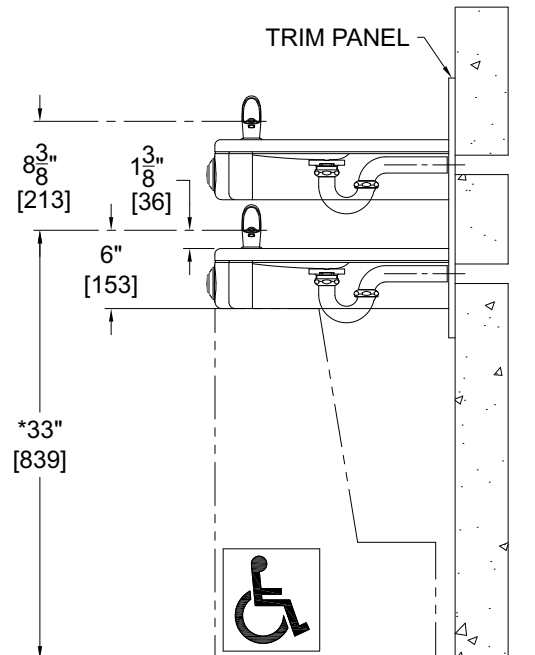
A152-VR Series

BARRIER FREE, VANDAL RESISTANT, BI-LEVEL, WALL MOUNTED DRINKING FOUNTAIN WITH 32" TRIM PANEL



GENERAL NOTES:

1. ALL DIMENSIONS ARE IN INCHES [MM].
- *2. DIMENSIONS SHOWN ARE FOR RECOMMENDED ADULT HEIGHT, ADJUST VERTICAL DIMENSIONS AS NECESSARY TO COMPLY WITH FEDERAL STATE AND LOCAL CODES.
3. STOP VALVE NOT PROVIDED.



Murdock Mfg.™ warrants that its products are free from defects in material or workmanship under normal use and service for a period of one year from date of shipment. Murdock's liability under this warranty shall be discharged solely by replacement or repair of defective material, provided Murdock™ is notified in writing within one year from date of shipment, F.O.B. Industry, California.

SELECTION SUMMARY & APPROVAL FOR MANUFACTURING	Model Number & Options _____	Quantity _____	All dimensions are subject to manufactures tolerance of plus or minus 1/2" nominal and subject to change without notice. Murdock assumes no responsibility for use of void or superseded data. Dimensions may change with the addition of optional accessories. Murdock Mfg.™, Member of Morris Group International™. Please visit www.murdockmfg.com for most current specifications.
	Company _____		
	Contact _____	Title _____	
	Signature (Approval for Manufacturing) _____	Date _____	