

SPECIFICATION:

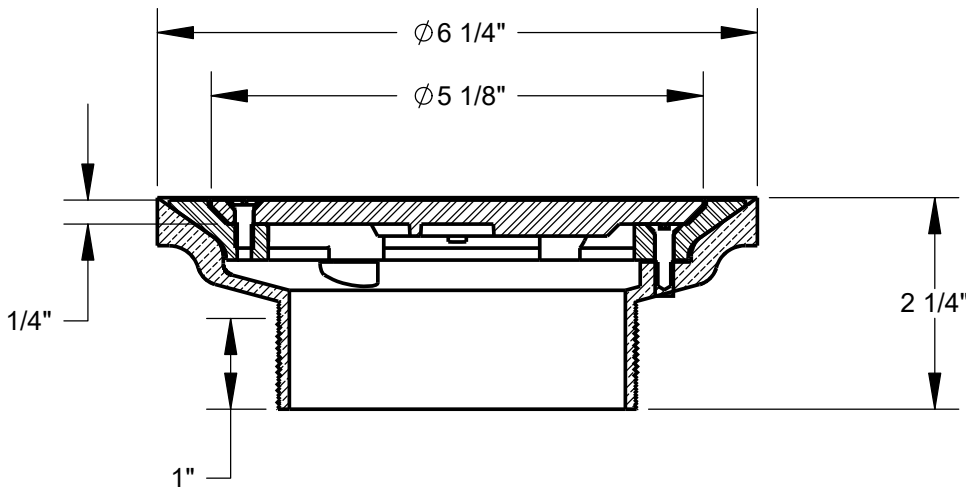
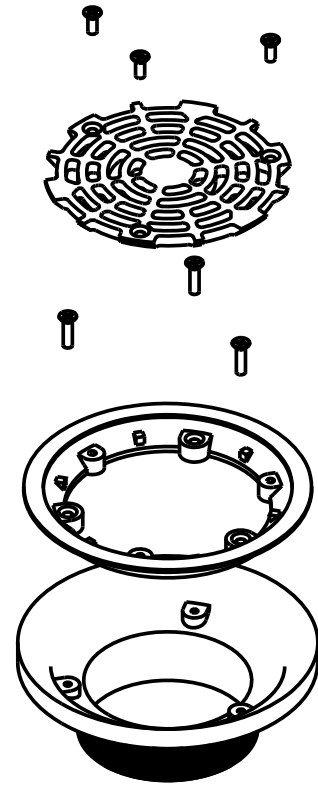
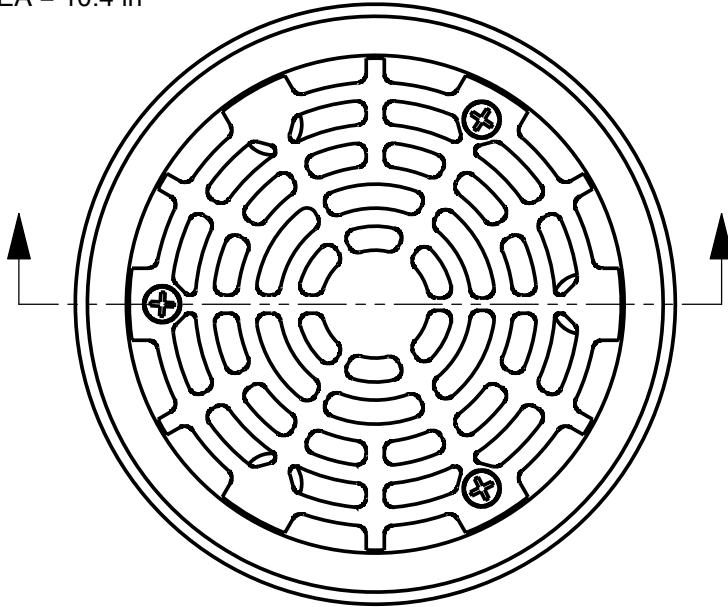
JOSAM SERIES 6AD ADJUSTABLE SATIN FINISH NIKALOY ROUND SUPER-FLO STRAINER THREADED WITH JOSAM ADJUSTABLE STRAINER THREAD.

**FLOOR DRAIN
ADJUSTABLE STRAINER**

SERIES

6AD

SLOT WIDTH 1/4"
FREE AREA = 10.4 in²



WARNING: Cancer and Reproductive Harm - www.P65Warnings.ca.gov

-2	SATIN FINISH BRONZE	-VP	SECURED GRATE, VANDAL-PROOF SCREWS
-80	PERFORATED SS BASKET	-J	BACKWATER VALVE
-TSI	TRAP SEAL INSERT		

DATE OF LAST CHANGE: 03/15/19

DIMENSIONS ARE SUBJECT TO MANUFACTURERS TOLERANCES AND CHANGE WITHOUT NOTICE. WE CAN ASSUME NO RESPONSIBILITY FOR USE OF SUPERSEDED OR VOID DATA.

JOSAM

MICHIGAN CITY, INDIANA

NOTES