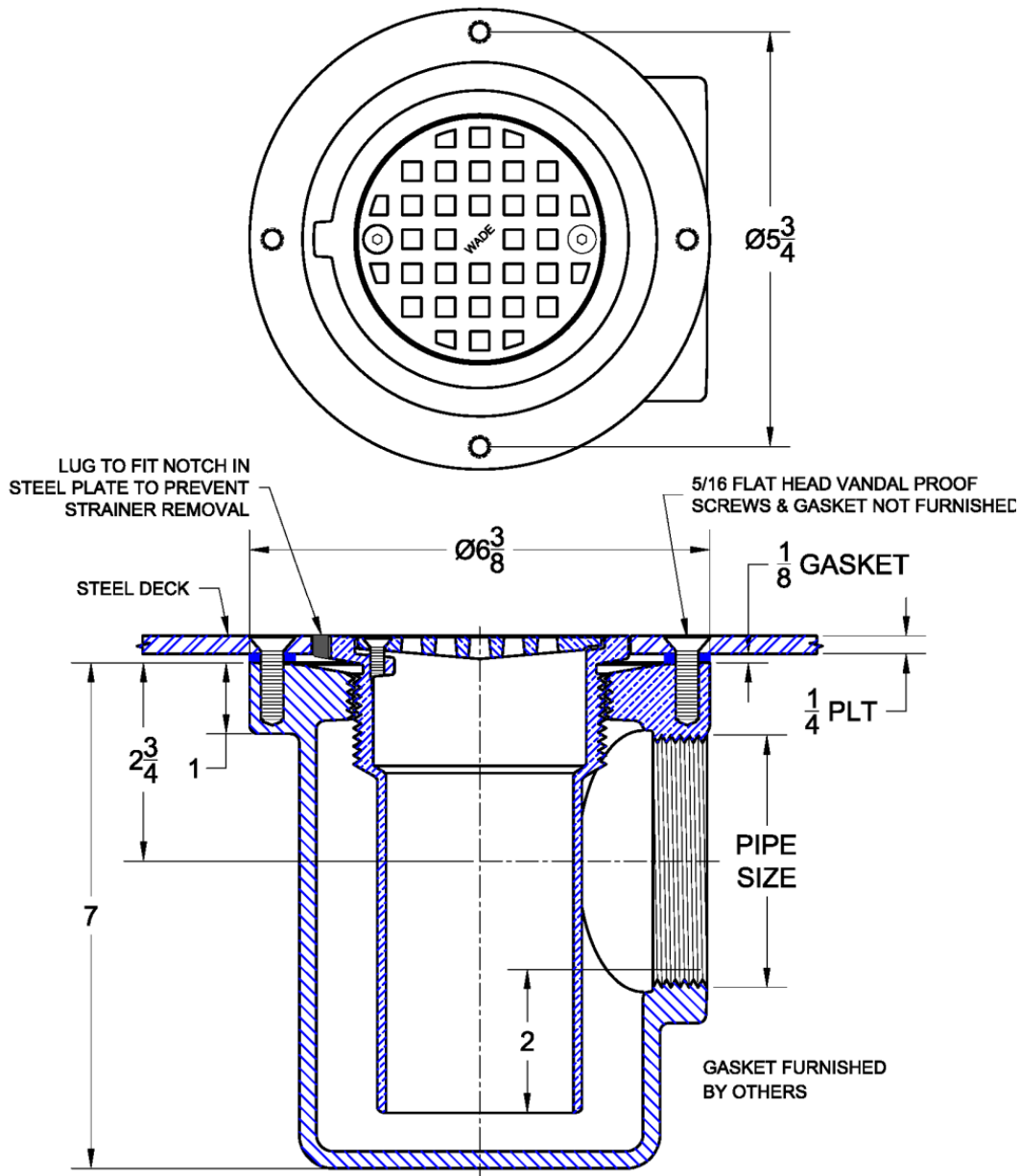


## 1840 Prison Cell Floor Drain with Adjustable Top – Perforated Grate

Regularly Furnished: Painted cast iron prison cell floor drain with adjustable strainer assembly, integral trap, perforated grate and threaded side outlet. Designed for installation in steel decks.  
ASME Load Rating (L.D.) Light Duty (Under 2,000 Lbs.)



Top Material		
✓	Suffix	Description
	-1	Satin Finish Nickel Bronze
	-2	Satin Finish Bronze
	-102	Polished Chrome Plated Bronze

Outlet Variations		
✓	Type	Designation
	Threaded	2IPS, 3IPS

Options		
✓	Suffix	Description
	-VP	Vandal Proof Secured Grate
	-39	Galvanized Iron Parts