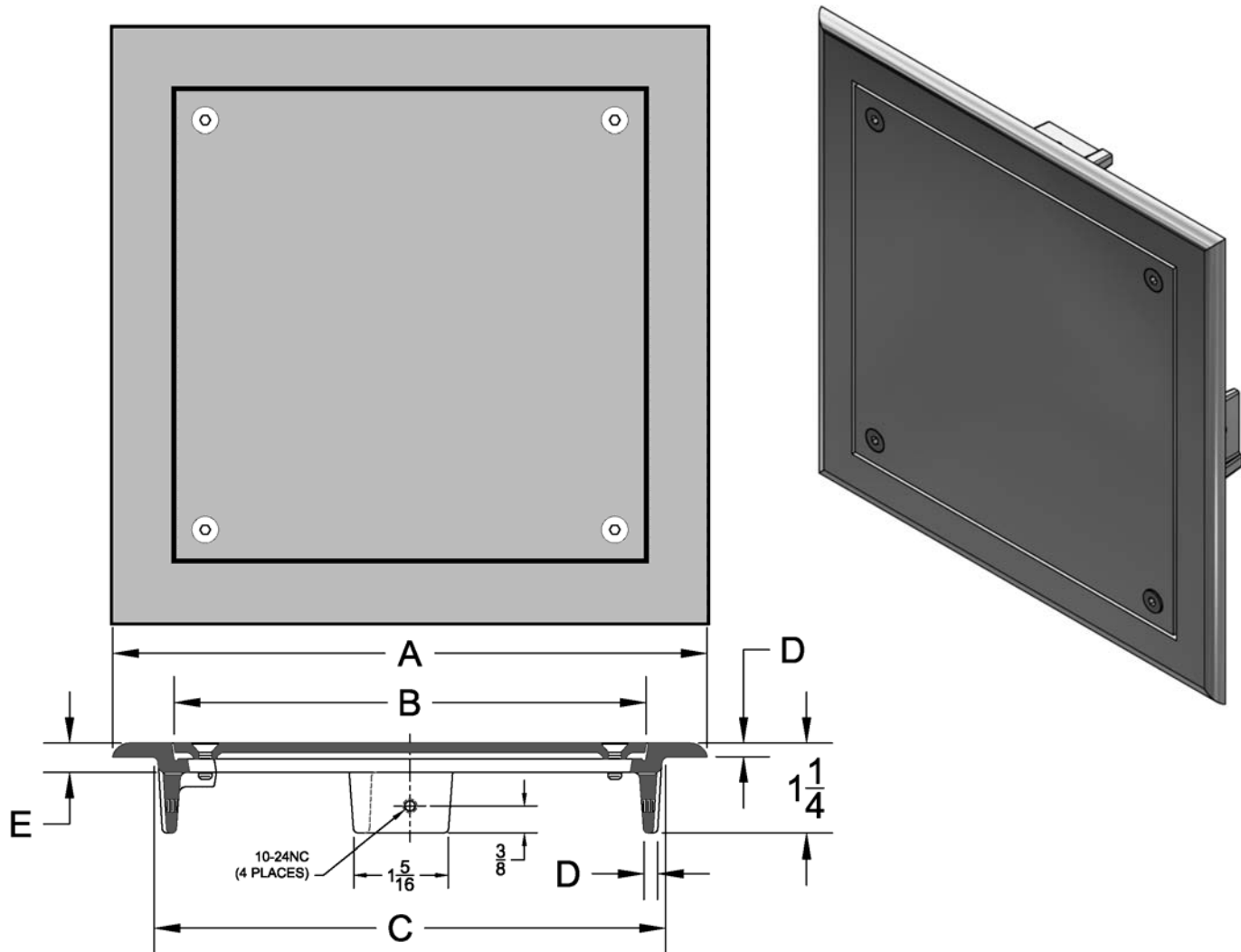


8303 Square Wall Access Panel (Replaces 8480-ST)

Project		Engineer		Mechanical	
---------	--	----------	--	------------	--



8303	Size	A	B	C	D	E	-1 Satin Finish Nickel Bronze	-2 Satin Finish Bronze	-85 Satin Finish Stainless Steel
•	6"	8 1/4	6 9/16	7	3/16	7/16			
	8"	10	8	8 3/4	1/8	1/4	N/A	N/A	
	10"	12	10	10 3/4	1/8	1/4	N/A	N/A	
	12"	14	12	12 3/4	1/8	1/4	N/A	N/A	

Regularly Furnished: Square access cover & frame. Cleanout ferrules & tees are optional.

Suffix Options		
Suffix	Description	•
-COF2	2" No-Hub Cleanout Ferrule with ABS Plug	
-COF3	3" No-Hub Cleanout Ferrule with ABS Plug	
-COF4	4" No-Hub Cleanout Ferrule with ABS Plug	
-COF5	5" No-Hub Cleanout Ferrule with ABS Plug	
-COF6	6" No-Hub Cleanout Ferrule with ABS Plug	

Suffix Options		
Suffix	Description	•
-CM	Carpet Marker	
-COT2	2" No-Hub Cleanout Tee with ABS Plug	
-COT3	3" No-Hub Cleanout Tee with ABS Plug	
-COT4	4" No-Hub Cleanout Tee with ABS Plug	
-COT5	5" No-Hub Cleanout Tee with ABS Plug	
-COT6	6" No-Hub Cleanout Tee with ABS Plug	
-VP	Vandal Proof Screws	
-39F	Galvanized Cleanout Ferrule	
-39T	Galvanized Cleanout Tee	
-75	Bronze Plug in Lieu of ABS	
-83	Special Marking	