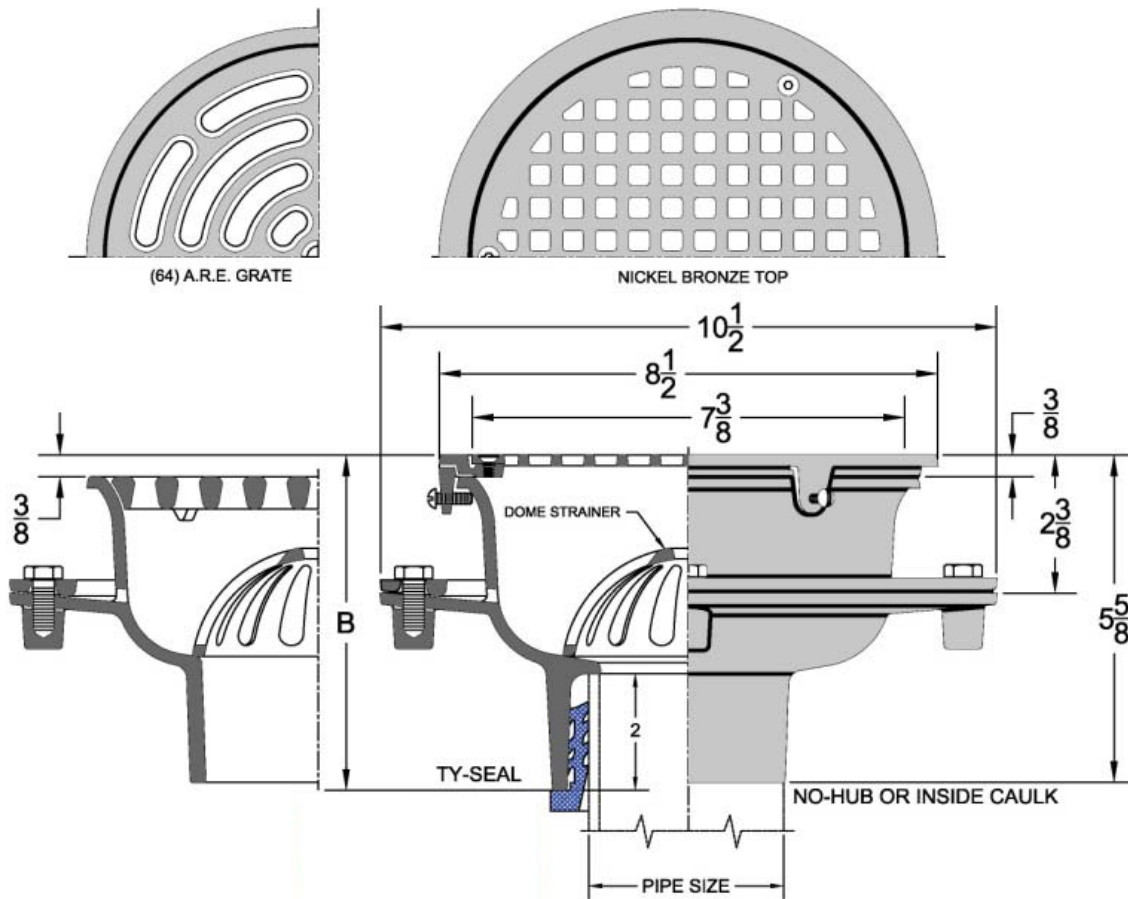


9000 8" Round A.R.C. Floor Sink, 3" Sump Depth

Project	Engineer	Mechanical
---------	----------	------------



Pipe Size	B Ty-Seal
2	5 7/8
3	5 3/4
4	5 5/8

Regularly Furnished: Cast iron floor sink with A.R.C. interior, integral flange, plastic interior dome strainer & full grate.

9000	-1	-64
	A.R.C. Cast Iron Body with Satin Finish Nickel Bronze Frame & Secured Grate	A.R.C. Cast Iron Body & A.R.C. Cast Iron Grate
●		
Grate Free Area (Sq.In.)	18.3	14.2

Suffix Options		
Suffix	Description	●
-TSD	Trap Seal Device (See Model 4405)	
-VP	Vandal Proof Top Assembly	
-6	1/2" Trap Primer Connection	
-10	Less Secondary Dome Strainer	
-14	Hinged Grate (-1 Nickel Bronze Only)	
-15	1/2 Grate	
-16	3/4 Grate	
-17	Grate with Center Opening	
-21	Less Grate	
-26	Clamping Ring	
-27	Aluminum Sediment Bucket	
-48	Aluminum Dome Strainer	
-108	Less Dome Bottom Strainer (Deduct)	
-110	A.R.C. Sediment Bucket	
-123	Stainless Steel Bucket Liner	

Funnel Options		
Suffix	Description	●
-EF4	4" Round Funnel Assembly *	
-EF6	6" Round Funnel Assembly *	
-EG6	6" Elongated Funnel Assembly *	
-EG8	8" Elongated Funnel Assembly *	

Outlet Variations		
Type	Designation	●
Inside Caulk	2IC,3IC,4IC	
No-Hub	2NH,3NH,4NH	
Push On Gasket	2TY,3TY,4TY	

*Dimensions vary from illustration