

SPECIFICATION:

JOSAM SERIES 43890 FABRICATED STAINLESS STEEL (TYPE 304), 16" SQUARE TOP, ADJUSTABLE DEPTH, WITH NO-HUB BOTTOM OUTLET, LEVELING FEET, MEMBRANE CLAMP AND PERFORATED SS GRATE (STANDARD).

SS DRAIN

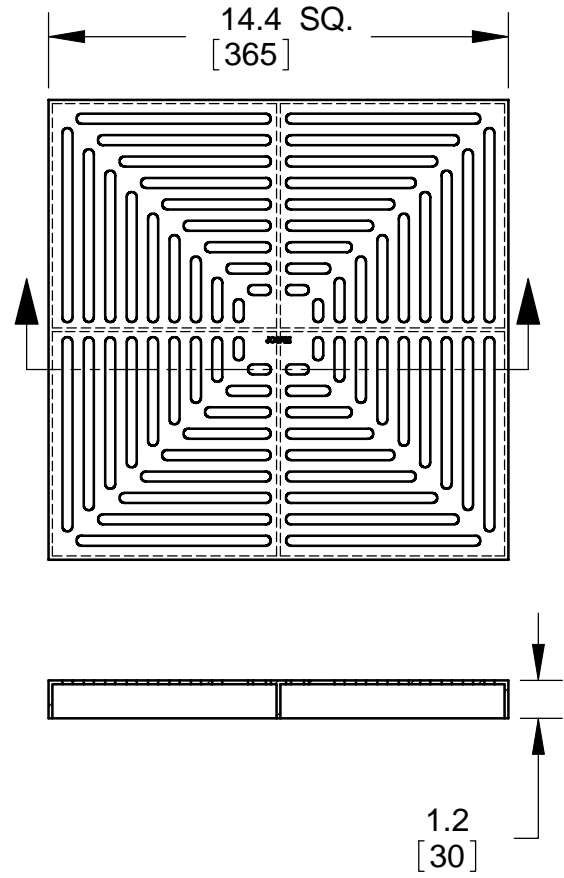
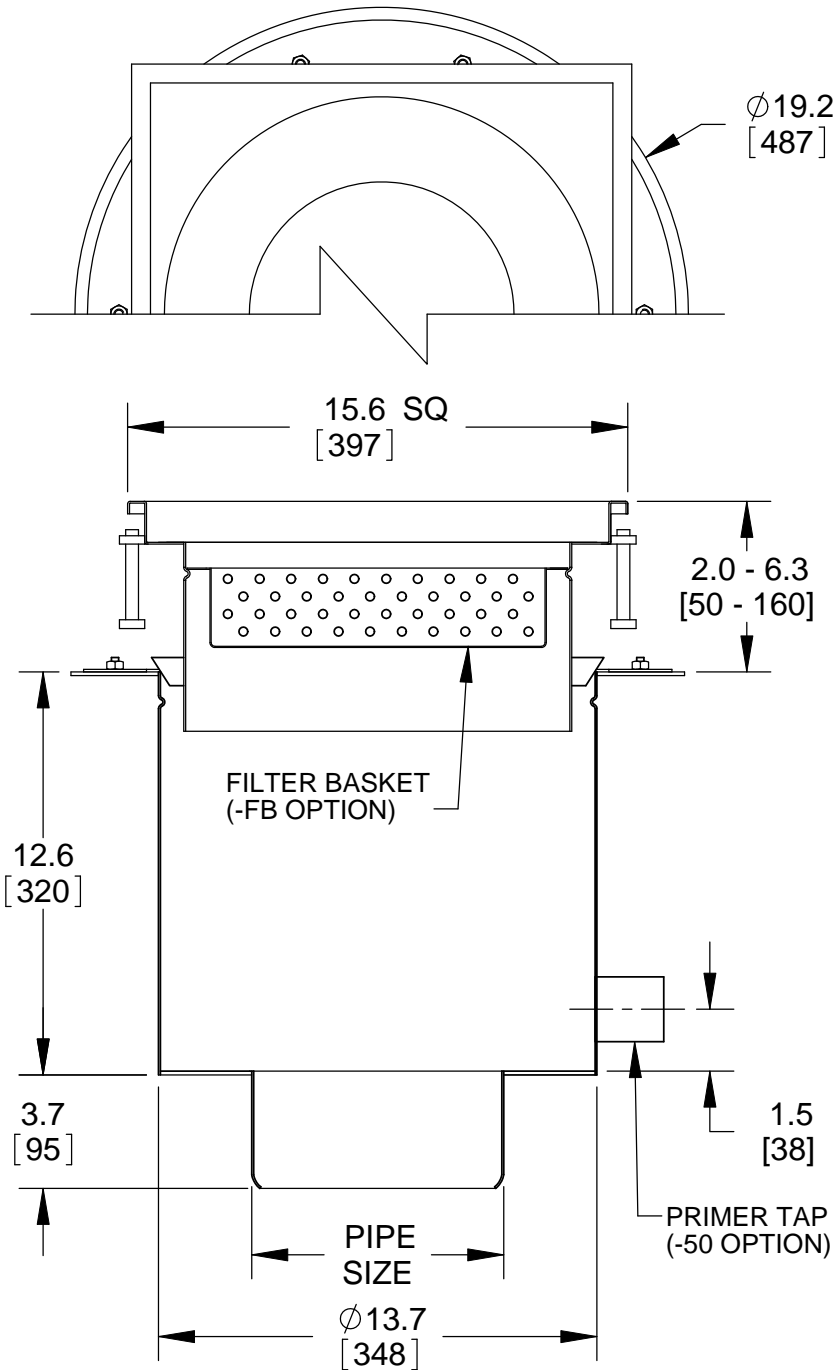
16" SQUARE TOP, ADJUSTABLE

SERIES

43890

STANDARD GRATE

FREE AREA = 75.4 IN²
MEETS ADA AND HEEL-PROOF REQS.



	MODEL	PIPE SIZE
	43894	4"
	43896	6"
	43898	8"

OPTIONS:

-FB	FILTER BASKET
-SB	SEDIMENT BUCKET
-VP	SECURED GRATE
-50	1/2" PRIMER TAP
-BW	BUTT-WELD OUTLET (SPEC. 10, 40, 80)
-T	THREADED OUTLET

-NG	NO GRATE
-HG	PERF. HALF GRATE
-3Q	PERF. 3/4 GRATE
-MG	MESH, ANTI-SLIP GRATE
-LG	LADDER GRATE
-SG	PERIMETER SLOT GRATE
-316	TYPE 316L MATERIAL

DATE OF LAST CHANGE: 07/14/10

DIMENSIONS ARE SUBJECT TO MANUFACTURERS TOLERANCES AND CHANGE WITHOUT NOTICE. WE CAN ASSUME NO RESPONSIBILITY FOR USE OF SUPERSEDED OR VOID DATA.

JOSAM COMPANY
MICHIGAN CITY, INDIANA

NOTES