

SINGLE NAIL CLAMP



Part Number	Description	Parts/Bag	MSTR CTN QTY
P-2090	1/2" CTS	100	1500
P-2091	3/4" CTS	100	1000

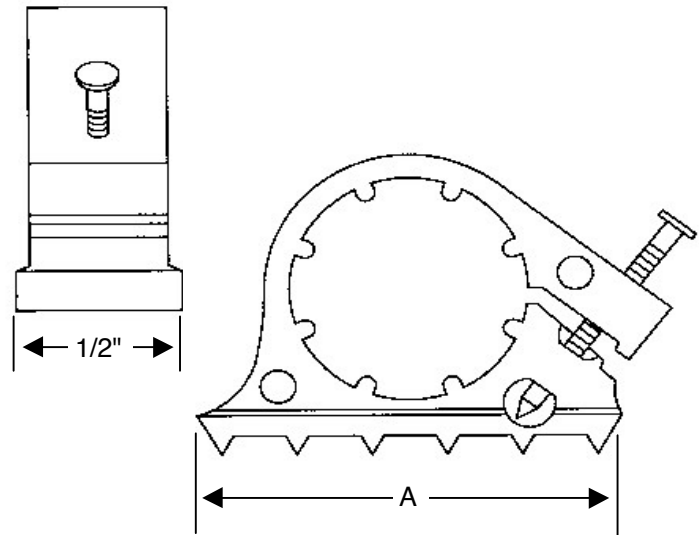
SPECIFICATION

Furnish and install Single Nail Clamp as manufactured by LSP.

DESIGN FEATURES

- Constructed of high-impact plastic
- Fast and easy to use
- Pre-installed barbed nail prevents backout
- Ribbed design completely encircles pipe
- Use with Copper, CPVC and PEX pipe
- Beige in color

DIMENSIONS



COMPLIANCES/LISTINGS

- IAMPO File #2139
- Made in North America



Part Number	A
P-2090	1-1/4"
P-2091	1-1/2"

Product Submittal	
Job Name:	Date:
Part Number:	Quantity:
Architect:	
Contractor:	

Content matter is subject to change at any time. It is the user's responsibility to ensure the most updated revisions are obtained. Rev 1 2/2021