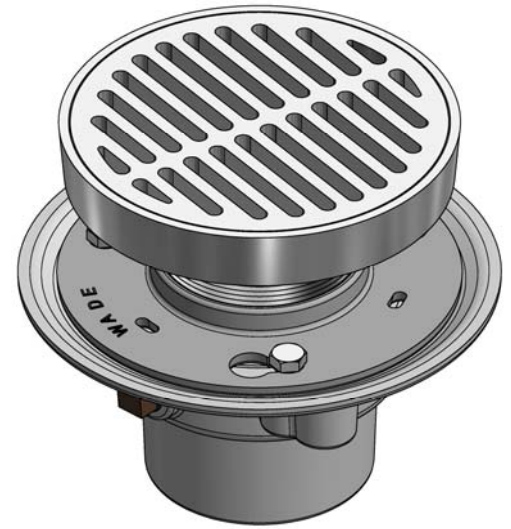
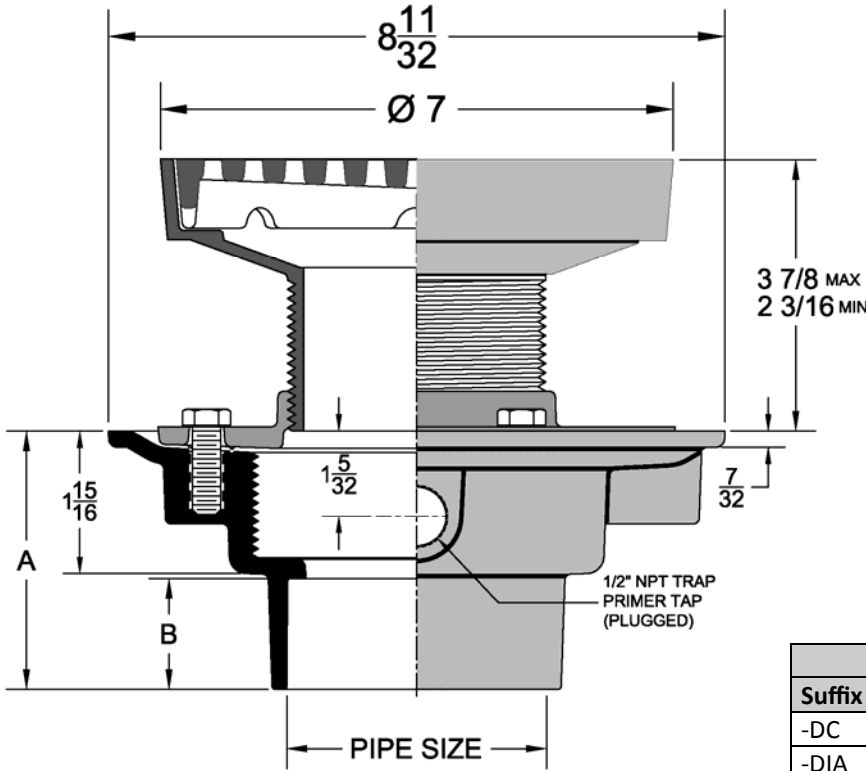


P1100-TS Plastic Floor Drain Body with Square Adjustable Top Assembly

ASME Load Rating		
(-1) Nickel Bronze	(-2) Satin Bronze	(-12) Ductile Iron
Light Duty	Light Duty	Heavy Duty

Project	
Engineer	
Mechanical	



P1100-TS7-1-3PVC

Dimensions (Inches)		
Outlet Size	A	B
2"	3-1/32	1
3"	3-1/2	1-1/2
4"	3-3/4	1-3/4

P1100-TS	-1	-2	-12	Grate Free Area (Sq. In.)
•	Cast Iron Body with Satin Finish Nickel Bronze Top	Cast Iron Body with Satin Finish Bronze Top	Cast Iron Body with Ductile Iron Top	8.0

Suffix Options		
Suffix	Description	•
-DC	Debris Cover	
-DIA	Deck Installation Assembly*	
-EF4	4" Round Funnel Assembly *	-1
		-2
		-85
-EF6	6" Round Funnel Assembly *	-1
		-2
		-85
-EG6	6" Elongated Funnel Assembly*	-1
		-2
		-85
-EG8	8" Elongated Funnel Assembly*	-1
		-2
		-85
-TSD	Trap Seal Device (See Model 4405)	
-VP	Vandal Proof Top Assembly	
-27	Sediment Bucket	
-31	Backwater Valve	
-33	Closure Plug	
-39	Galvanized Cast Iron	
-41	Galvanized Ductile Iron Top (-12)	
-83	Special Engraving	
-94	Cast Iron Extension Adapter*	Painted
		-39
-102	Chrome Plated Top Assembly	

*Dimensions vary from illustration

Regularly Furnished: ABS or PVC plastic drain body with flange, integral clamping collar, seepage openings, 1/2" primer tap with plug & adjustable type "TS" top assembly.

Outlet Variations		
Type	Designation	•
ABS	2ABS,3ABS,4ABS	
Push On Gasket	2PVC,3PVC,4PVC	