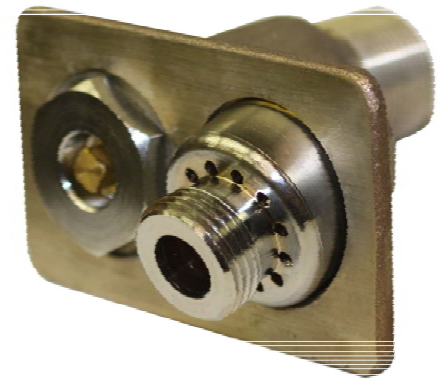
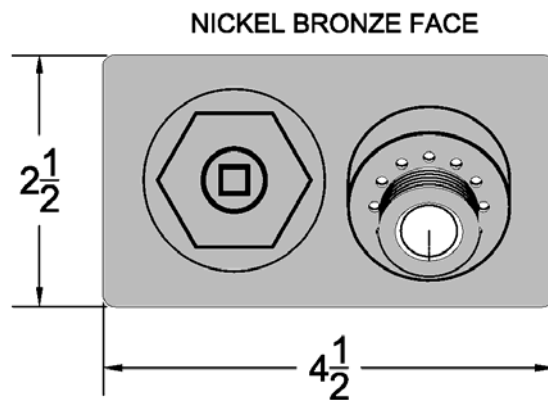
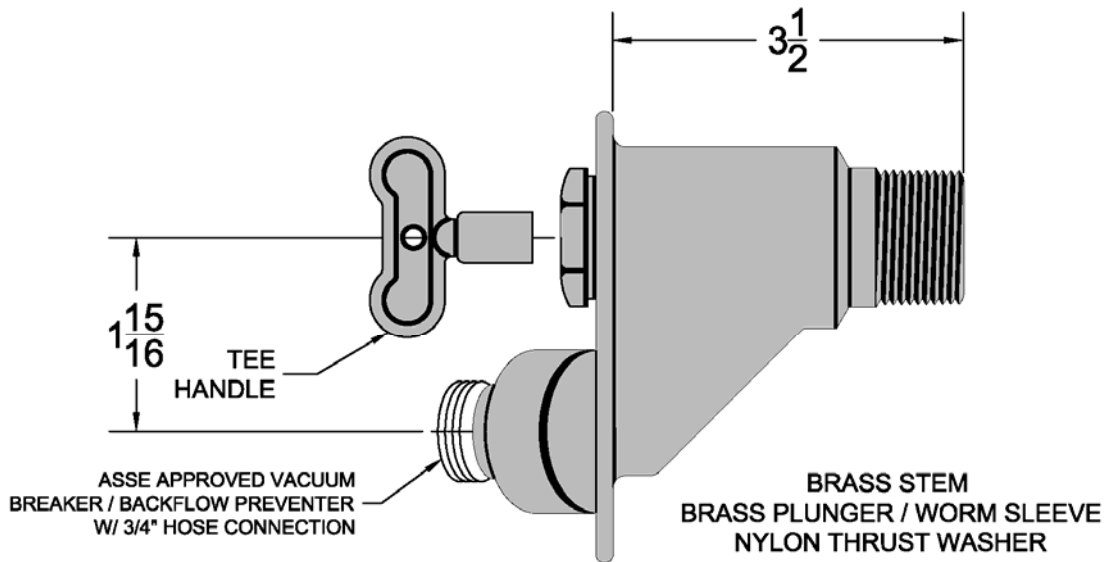


8607 Exposed Mild Temperature Wall Hydrant

Project		Engineer		Mechanical	
---------	--	----------	--	------------	--



8607-1

Wall Thickness	Hydrant Face	
	-1 Satin Finish Nickel Bronze	Rough Bronze w/ Chrome Plated Trim
Close Coupled		

Suffix Options		
Suffix	Description	•
-WK02	Repair Kit (Less Rod)	
-88	3/4" Solder Inlet*	
-90	1" Hose Connection*	

Regularly Furnished: Mild Temperature wall hydrant with compression closure valve, 3/4" hose connection, & anti-siphon backflow preventer.

Maximum Working Pressure: 125 PSI

**Dimensions vary from illustration*