

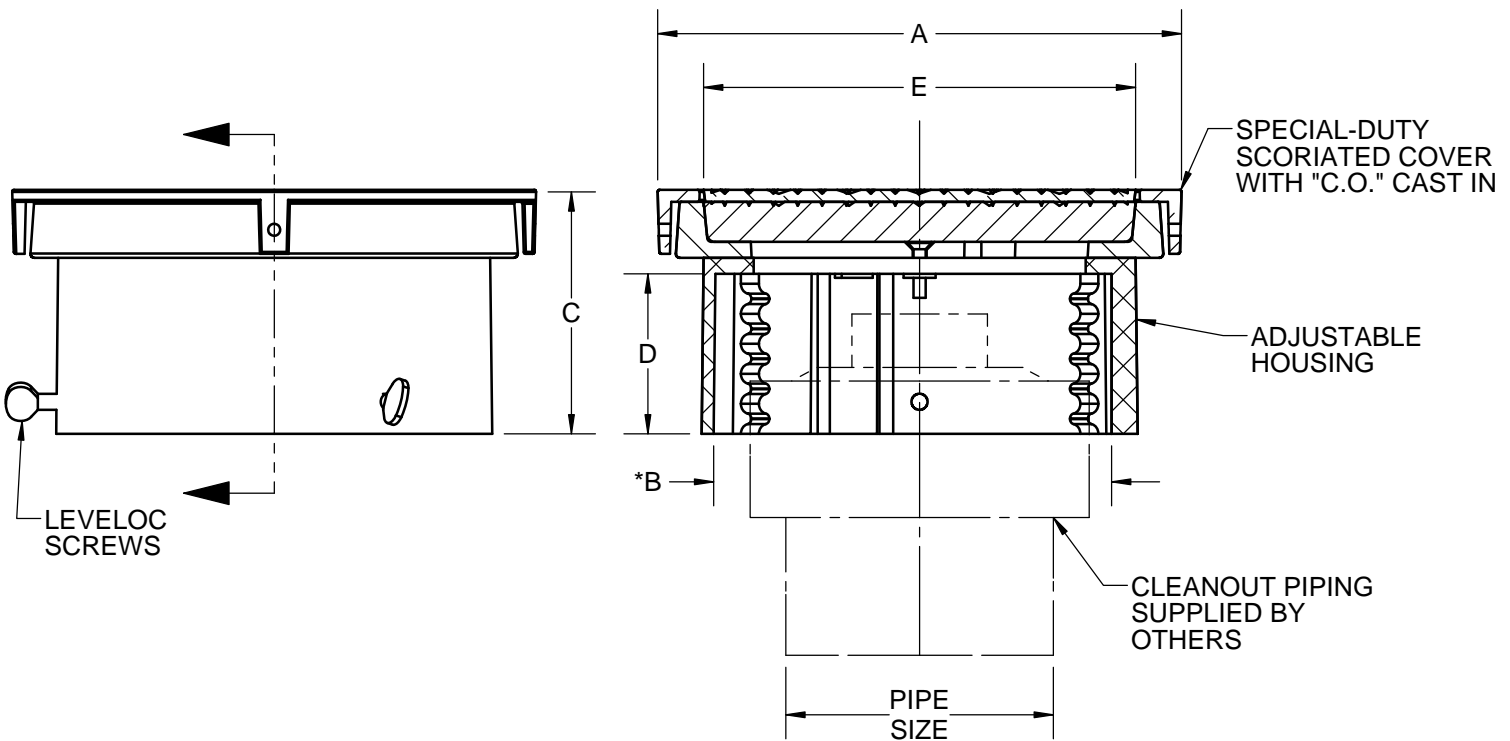
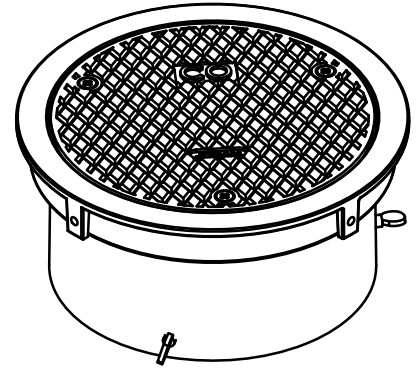
**SPECIFICATION:**

JOSAM 58580-1-SD SERIES ABS FLOOR ACCESS HOUSING WITH SPECIAL-DUTY SCORIATED SECURED ROUND LAMINATED SATIN NIKALOY TOP AND LEVELOC® SCREWS

**CLEANOUT ACCESS HOUSING & COVER**

SERIES **58580-1-SD**

FORMERLY 56060-88-1 SERIES



<b>X</b>	-1	SATIN FINISH NIKALOY TOP
<b>X</b>	-SD	SPECIAL-DUTY TOP, NIKALOY

	PIPE SIZE	A	*B	C	D	E
	2"	6	3-3/16	4-1/8	2-9/16	5-1/8
	3"	7-5/8	5-3/16	4-1/8	2-9/16	6-3/4
	4"	7-5/8	5-3/16	4-1/8	2-9/16	6-3/4
	5"	9-3/4	7-3/8	4-1/8	2-9/16	8-13/16
	6"	9-3/4	7-3/8	4-1/8	2-9/16	8-13/16

\* MAXIMUM SPACE AVAILABLE FOR PIPE FITTING ENCLOSURE ETC.

WARNING: Cancer and Reproductive Harm - www.P65Warnings.ca.gov

DATE OF LAST CHANGE: 5/24/18

DIMENSIONS ARE SUBJECT TO MANUFACTURERS TOLERANCES AND CHANGE WITHOUT NOTICE. WE CAN ASSUME NO RESPONSIBILITY FOR USE OF SUPERSEDED OR VOID DATA.



NOTES