



ELECTRIC TANKLESS WATER HEATER - LARGE CAPACITY

BOXER™ - 3 PHASE - HIGH ACTIVATION

TYPICAL APPLICATIONS:
Drench Shower

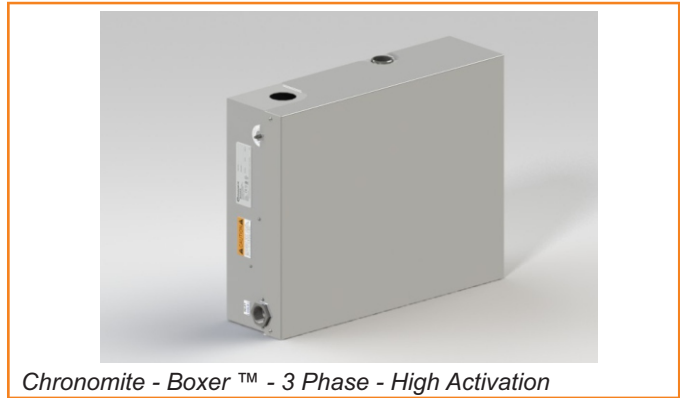
PRODUCT FEATURES

- Uses a digital microprocessor for temperature control
Ultra quick response times for temperature variations- 120 times per second. Microprocessor use is the most energy efficient means of heating water
- Unlimited hot water
- Saves water and energy - 99% energy efficient
- Rugged stainless steel housing (Standard)
- Space saving compact size: 26-3/4" x 21" x 7-1/2"
- Safety Features – Quantity 9 independent heater modules, each having a PID controller, flow switch, dual fuse protection, and high limit thermostat. 9 modules are divided into 3 main sections electrically and can be manually reset if the temperature limit is exceeded.
- No solenoids, loss of power = Cold Water Bypass
- Meets applicable building codes including UL, UPC
- Environmentally friendly
- Made in the U.S.A.
- 84°F preset temperature
- Tepid Water to meet ANSI Z358.1

Chronomite - Boxer™ - 3 Phase - High Activation - H9 models are manufactured to provide reliable tepid water with flow rates from 9.0 gpm to 30.0 gpm. There is no pressure and temperature relief valve needed (unless required by code), saving time and money on installation.

Housing is fabricated from rugged stainless steel.
Element assembly is fabricated from Celcon plastic.
Heating Coils are Nichrome.

For the model being selected, please place the corresponding amps, volts and watts values in the Guide Specifications above.



Chronomite - Boxer™ - 3 Phase - High Activation

GUIDE SPECIFICATION

Tankless Water Heater shall be a Chronomite Laboratories Model

ERB - _____ H / _____ VOLTS - 3P

with

Unit shall be provided with Celcon waterways, and Nichrome heating coils. Temperature controlled by microprocessor.

OPTIONS

- Factory Preset (F)
- De-ionized (Di)
- Auxiliary Contact (A)
- GFCI (G)
- Y - Strainer (Y)
- Siren and Beacon (Z)*
- Digital Readout (DR)
- Freeze Protection [-35°F] (B)**
- Booster Pump (V)*
- Disconnect Switch Fused (J)**
- Disconnect Switch, Non-Fused (U)**
- Explosion Proof (K) [C1D2 Compliant]*
- Nema 4 Cabinet (N4)
*(30" x 24" x 10.75")
**(30" x 30" x 10.75")
- Nema 4X Cabinet (N4X)
*(30" x 24" x 10.75")
**(30" x 30" x 10.75")
- Nema 4X 316 Cabinet (X6)
*(30" x 24" x 10.75")
**(30" x 30" x 10.75")

* Requires (30" x 24" x 10.75") Cabinet
** Requires (30" x 30" x 10.75") Cabinet

MODEL	AMPS/PHASE	3 Ø VOLTAGE	WATTS	ACTIVATION GPM	°F TEMPERATURE RISE @		
					20 GPM	23 GPM	30 GPM
ERB-180H/208_3P	104	208	37400	9	13	11	9
ERB-270H/208_3P	156	208	56200	9	19	17	13
ERB-308H/208_3P	178	208	64000	9	22	19	15
ERB-360H/208_3P	208	208	75000	9	26	22	17
ERB-360H/240_3P	208	240	86000	9	29	26	20
ERB-81H/480_3P	47	480	39000	9	13	12	9
ERB-100H/480_3P	58	480	48000	9	16	14	11
ERB-113H/480_3P	65	480	54000	9	18	16	12
ERB-131H/480_3P	76	480	63000	9	22	19	14
ERB-160H/480_3P	93	480	77000	9	26	23	18
ERB-240H/480_3P	139	480	115000	9	39	34	26
ERB-320H/480_3P	185	480	154000	9	53	46	35

Complies with Standards for: LISTED TO: CAN/CSA STD C22.2 NO. 88

LISTED TO: UL STD 499

INTERNATIONAL ASSOCIATION OF ELECTRICAL APPLIANCE MANUFACTURERS (IAEPM)

UL US LISTED ELECTRIC HEATING APPLIANCE 214T

ETL LISTED Intertek 5001365

Pb Federal Public Law 111-350 (No Lead)

CALGreen

CHRONOMITE LABORATORIES, INC.
17451 Hurley St. :: City of Industry, CA 91744
Phone 800-447-4962 :: 626-937-4270
Fax 626-937-4279 :: www.chronomite.com

MEMBER OF MORRIS GROUP INTERNATIONAL

BOXER™ - 3 PHASE - HIGH ACTIVATION

HIGH ACTIVATION METRIC CHART

MODEL	AMPS/PHASE	3 Ø VOLTAGE	WATTS	ACTIVATION LPM	°C TEMPERATURE RISE @		
					75 LPM	87 LPM	114 LPM
ERB-180H/380_3P	104	380	68400	34.1	13	11	9
ERB-270H/380_3P	156	380	102600	34.1	20	17	13
ERB-360H/380_3P	208	380	136800	34.1	26	23	17
ERB-180H/415_3P	104	415	74700	34.1	14	12	9
ERB-270H/415_3P	156	415	112100	34.1	21	19	14
ERB-360H/415_3P	208	415	149400	34.1	29	25	19
ERB-128H/600_3P	74	600	77000	34.1	15	13	10
ERB-192H/600_3P	111	600	115000	34.1	22	19	14
ERB-256H/600_3P	148	600	154000	34.1	29	25	19

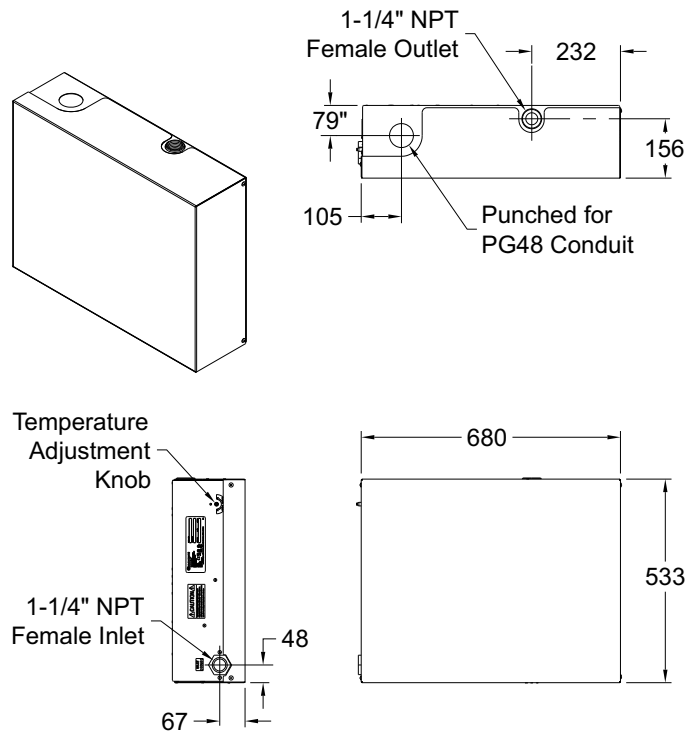
TECHNICAL DIMENSIONS

CHRONOMITE - BOXER™ - 3 PHASE - HIGH ACTIVATION

Dimensions:	533 (H) x 679 x 191mm
Weight:	34.5 Kg
Materials:	Rugged Stainless Steel Housing Celcon Plastic Element Assembly with Nichrome Coils
Housing Color:	Stainless Steel
Minimum Operating Flow Rate:	34.1 LPM
Minimum Operating Pressure:	172 kPa
Maximum Operating Pressure:	552 kPa
Maximum Pressure:	1034 kPa
Maximum Water Temperature:	71°C
Maximum Ambient Operating Temperature:	60°C
Listing:	UL, IAPMO, UPC, ADA, ETL

GENERAL NOTES:

- ✦ The microprocessor adjusts the heater's power for variations in flow rates, inlet water temperature and pressure to assure the selected factory preset water temperature.
- ✦ 240V models when operated at 220V will have approximately a 15% wattage decrease.



Member of
U.S. Green
Building Council



Water
Conserving
Product



Made in
the USA

Chronomite Laboratories assumes no responsibility for use of void or suspended data. © Copyright Chronomite Laboratories, Inc. Acorn Family of Companies, City of Industry, CA Please visit www.chronomite.com for most current specifications.

SELECTION SUMMARY & APPROVAL FOR MANUFACTURING

Company _____

Model Number & Options _____ Quantity _____

Contact _____ Title _____

Signature (Approval for Manufacturing) _____ Date _____

CHRONOMITE
LABORATORIES, INC.

PH. 800-447-4962

626-937-4270

FAX 626-937-4279

www.chronomite.com

BOXER™ - 3 PHASE - HIGH ACTIVATION

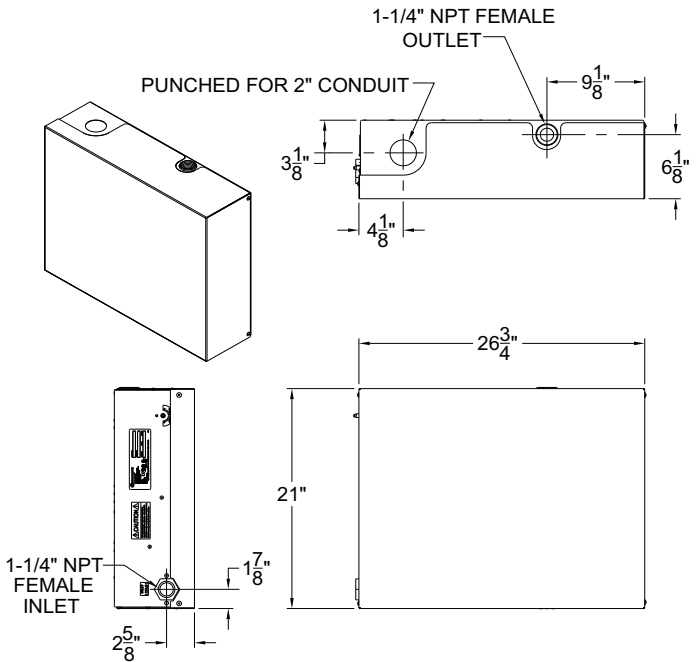
TECHNICAL DIMENSIONS

CHRONOMITE - BOXER™ - 3 PHASE - HIGH ACTIVATION

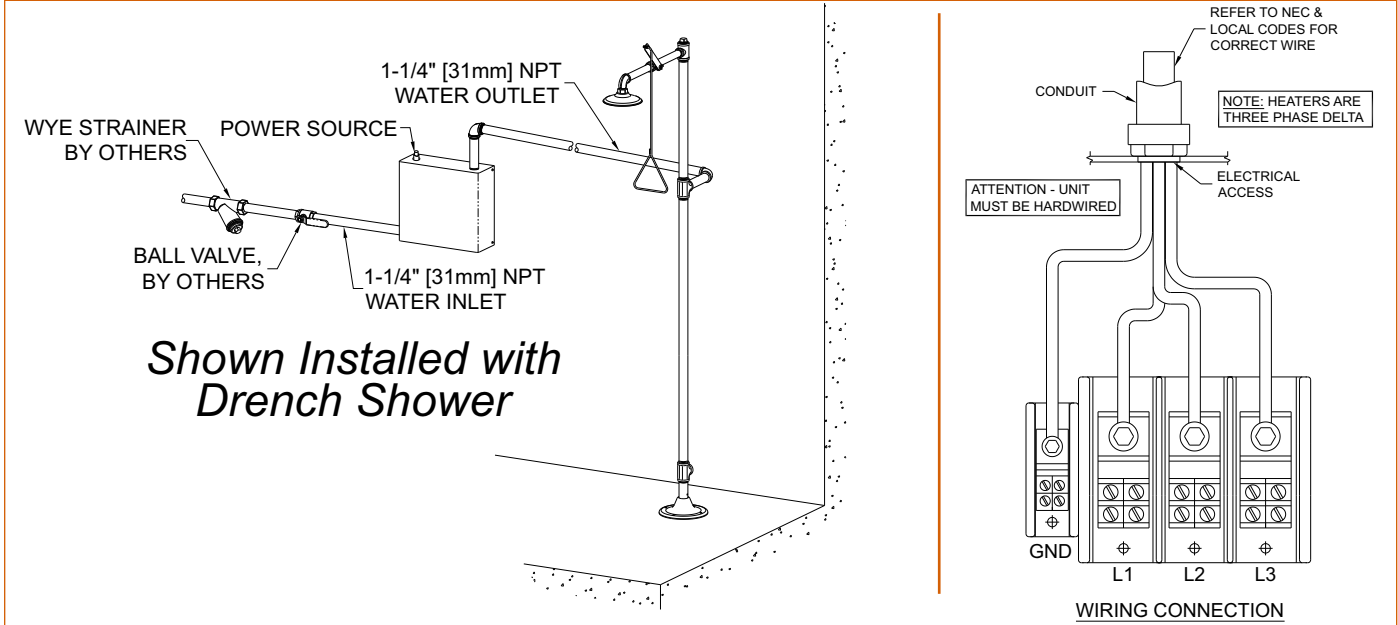
Dimensions:	26-3/4" x 21" x 7-1/2"
Weight:	76 LBS
Materials:	Rugged stainless steel housing Celcon plastic element assembly with Nichrome coils
Minimum Operating Flow Rate:	9.0 GPM
Minimum Operating Pressure:	25 PSI
Maximum Operating Pressure:	80 PSI
Maximum Pressure:	150 PSI
Maximum Operating Temperature:	160°F
Listing:	UL, UPC

GENERAL NOTES:

- The microprocessor adjusts the heater's power for variations in flow rates, inlet water temperature and pressure to assure the selected water temperature
- 240V models when operated at 220V will have approximately a 15% wattage decrease
- For EFD units - order ERB-L9 series option (F) with 84°F water



INSTALLATION DIAGRAM



Chronomite Laboratories assumes no responsibility for use of void or suspended data. © Copyright Chronomite Laboratories, Inc. Acorn Family of Companies, City of Industry, CA Please visit www.chronomite.com for most current specifications.

SELECTION SUMMARY & APPROVAL FOR MANUFACTURING

Company _____

Model Number & Options _____ Quantity _____

Contact _____ Title _____

Signature (Approval for Manufacturing) _____ Date _____

CHRONOMITE
LABORATORIES, INC.

PH. 800-447-4962

626-937-4270

FAX 626-937-4279

www.chronomite.com