

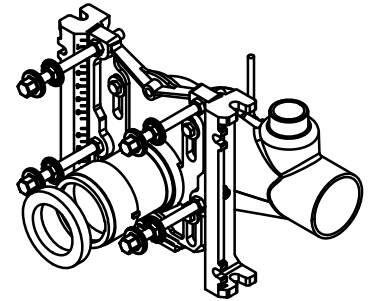
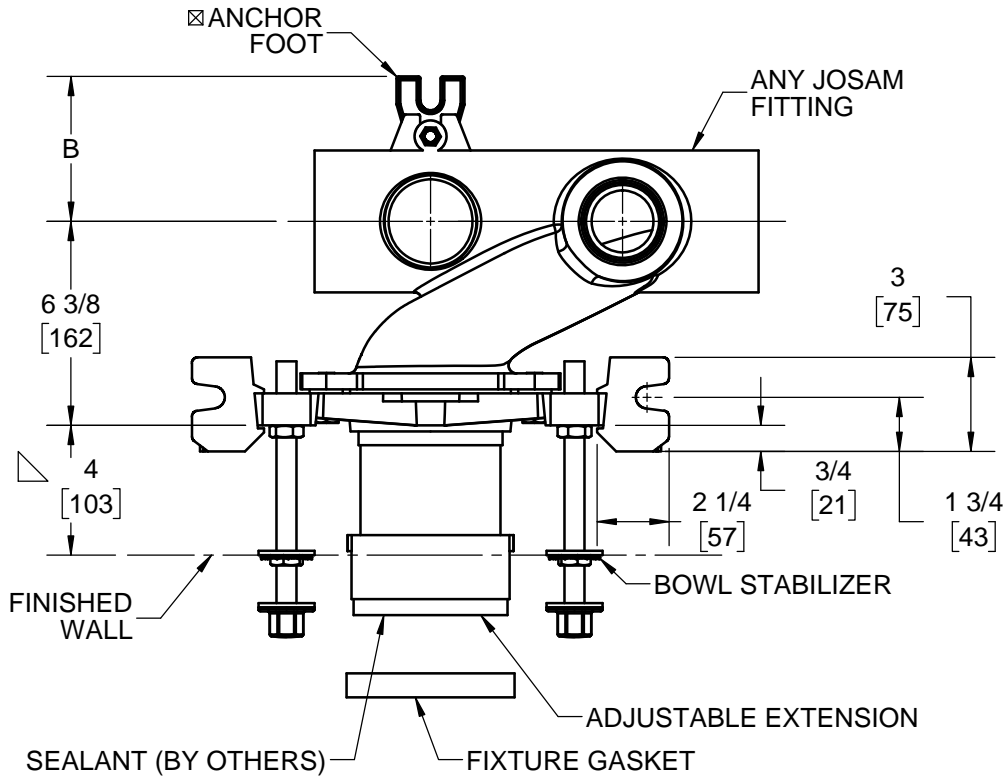
SPECIFICATION:

JOSAM 12000-30 SERIES COATED CAST IRON UNIVERSAL CLOSET CARRIER WITH ADJUSTABLE CLOSET CONNECTION, PYLON FEET, ANCHOR FOOT, CAST IRON EXTENSION WITH ADJUSTABLE CONNECTOR, PLATED TRIM AND COATED ACCESSORIES AND NEOPRENE FIXTURE GASKET FOR USE WITH BOTH BLOWOUT OR SIPHON JET WATER CLOSETS.

CLOSET CARRIER

SERIES

12000-30



△ FOR DIMENSION SHORTER THAN 5-1/2" (1" MIN) CUT EXTENSION. FOR LONGER EXTENSION (10-1/2" MAX) SPECIFY (-10).

☒ RECOMMEND FEET BE SECURED TO FLOOR WITH 1/2" BOLTS AND ANCHORS (BY OTHERS).

⊗ FOR SIPHON JET ROUGHING OVER 6" OR BLOWOUT ROUGHING OVER 12-1/2" SPECIFY ON ORDER.

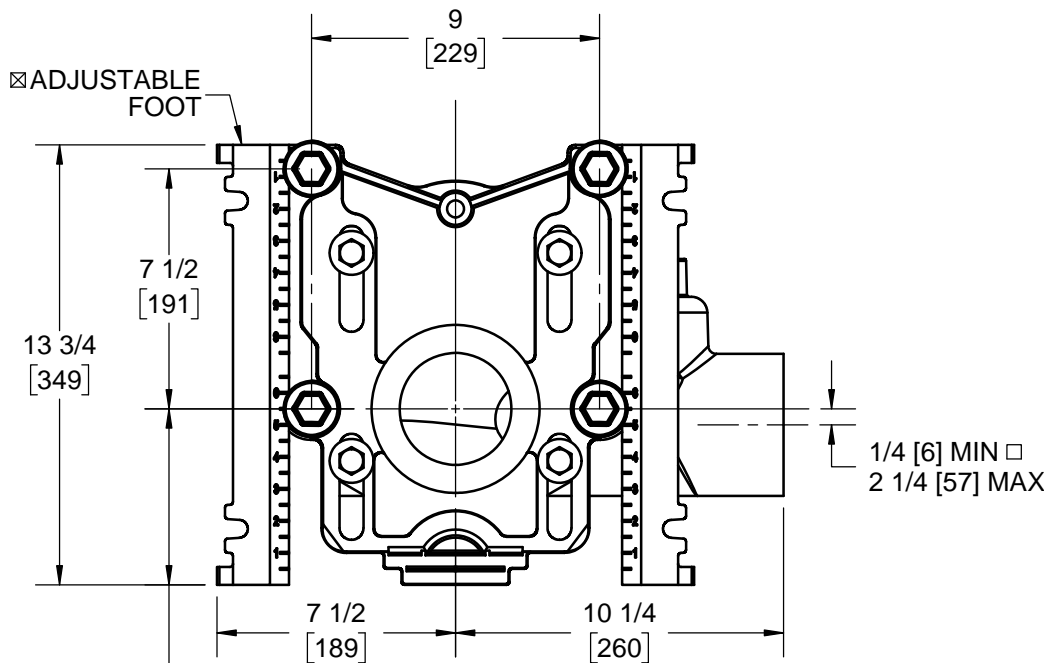
SIPHON JET DIMS SHOWN. FOR BLOWOUT DIMS, USE:

□ MIN 2" & MAX 4"

▱ MIN 11" & MAX 16 1/2"

⊙ AUX INLET IS 6" OFFSET FROM VENT

DIMENSION "B" VAIRES WITH FITTING.



▱ 4 1/2 [144] MIN

⊗ 10 [254] MAX

WARNING: Cancer and Reproductive Harm - www.P65Warnings.ca.gov

DATE OF LAST CHANGE: 5/25/18

DIMENSIONS ARE SUBJECT TO MANUFACTURERS TOLERANCES AND CHANGE WITHOUT NOTICE. WE CAN ASSUME NO RESPONSIBILITY FOR USE OF SUPERSEDED OR VOID DATA.

JOSAM

MICHIGAN CITY, INDIANA

NOTES