

SPECIFICATION:

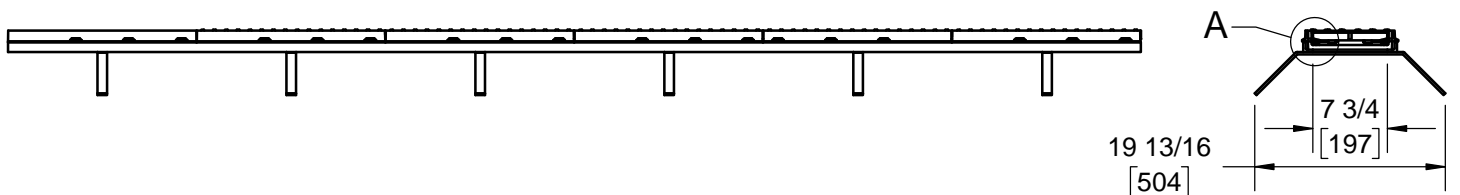
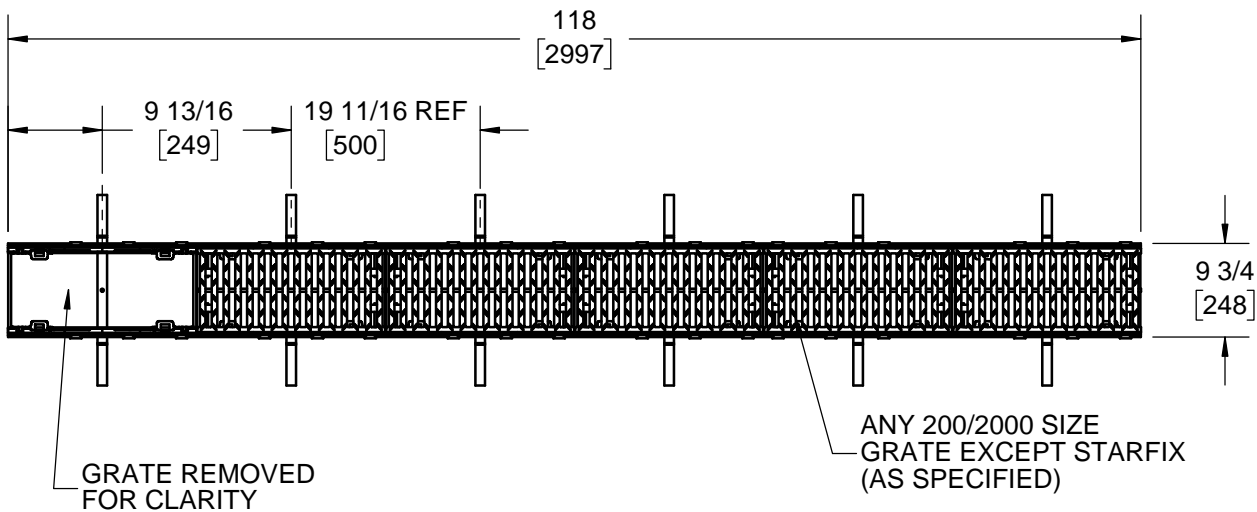
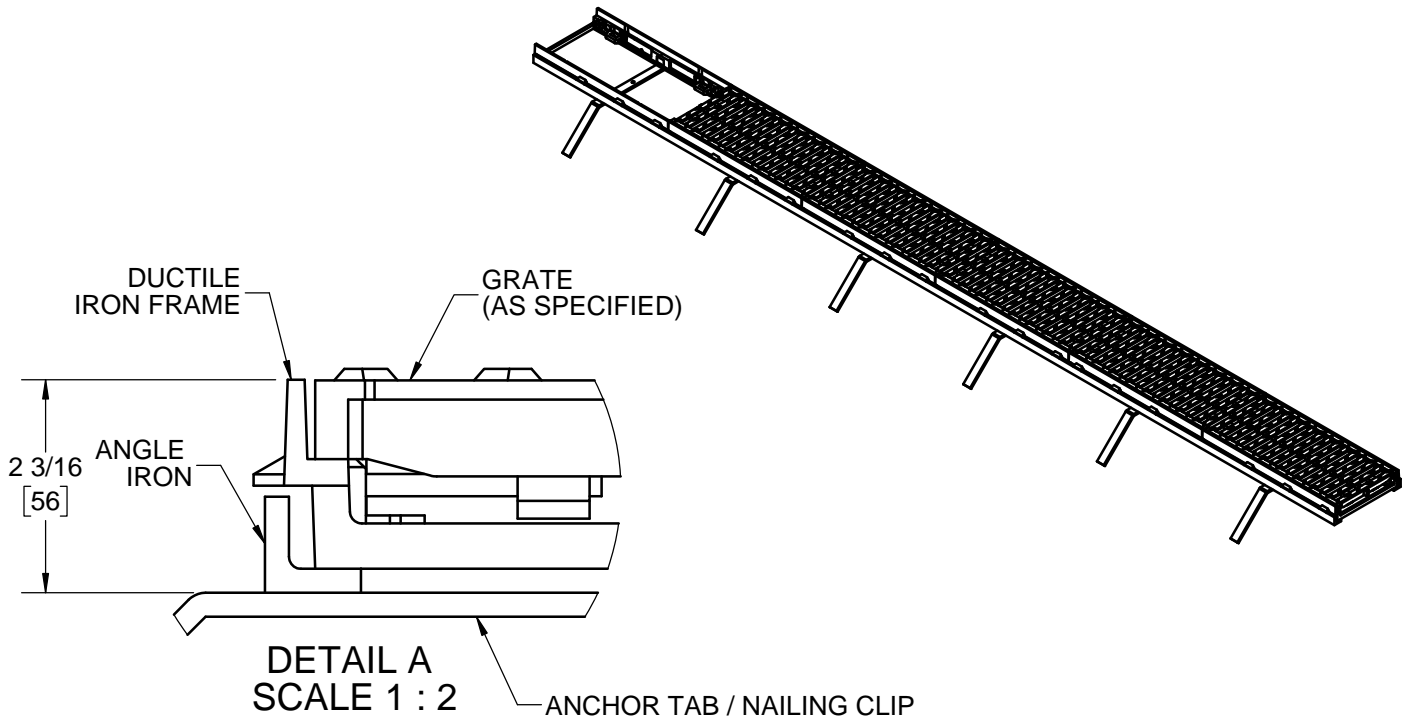
JOSAM 76220 SERIES BLACK PAINTED 9'-10" LONG STEEL ANGLE IRON FRAME WITH COMBINATION ANCHOR TABS / NAILING CLIPS, AND SIX DUCTILE IRON FRAMES TO FIT NON STARFIX 200/2000 SERIES GRATES.

FRAME & GRATE ASSY

200 SIZE

SERIES

76220



WARNING: Cancer and Reproductive Harm - www.P65Warnings.ca.gov

DATE OF LAST CHANGE: 6/07/18

DIMENSIONS ARE SUBJECT TO MANUFACTURERS TOLERANCES AND CHANGE WITHOUT NOTICE. WE CAN ASSUME NO RESPONSIBILITY FOR USE OF SUPERSEDED OR VOID DATA.

JOSAM
MICHIGAN CITY, INDIANA

NOTES