

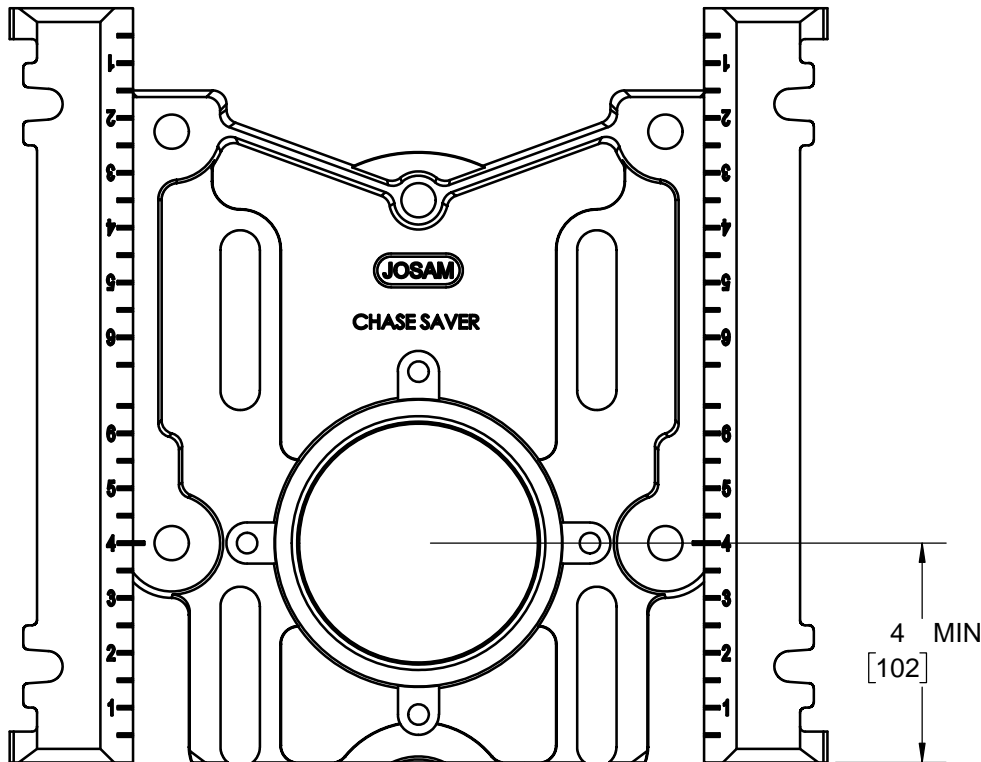
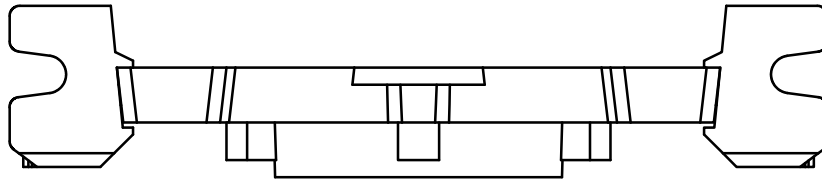
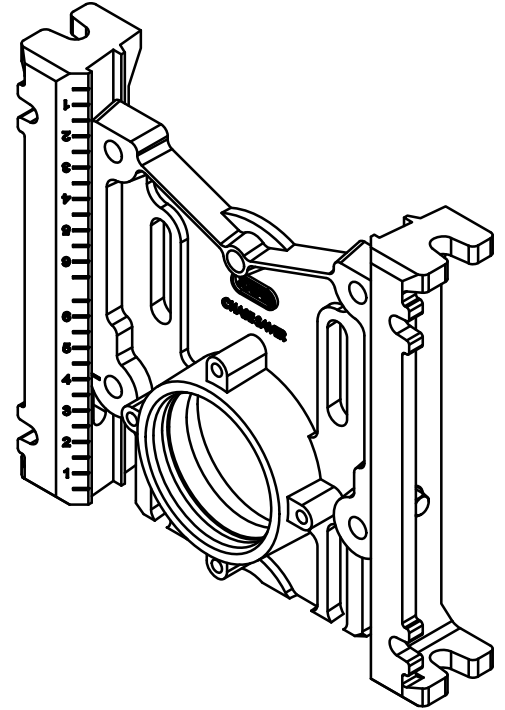
**SPECIFICATION:**

JOSAM 12000-TAS ADJUSTABLE COATED CAST IRON CUT FACEPLATE AND TWO PYLON FEET.

**FACEPLATE AND FEET  
CARRIER ASSEMBLY**

SERIES **12000-TAS**

NOTE:  
FOR ALL OTHER DIMENSIONS SEE  
STANDARD 12000 SUBMITTAL



"TAS" OPTION FACEPLATE (010935)

WARNING: Cancer and Reproductive Harm - www.P65Warnings.ca.gov

DATE OF LAST CHANGE: 5/29/18

DIMENSIONS ARE SUBJECT TO MANUFACTURERS  
TOLERANCES AND CHANGE WITHOUT NOTICE.  
WE CAN ASSUME NO RESPONSIBILITY FOR  
USE OF SUPERSEDED OR VOID DATA.



MICHIGAN CITY, INDIANA

NOTES