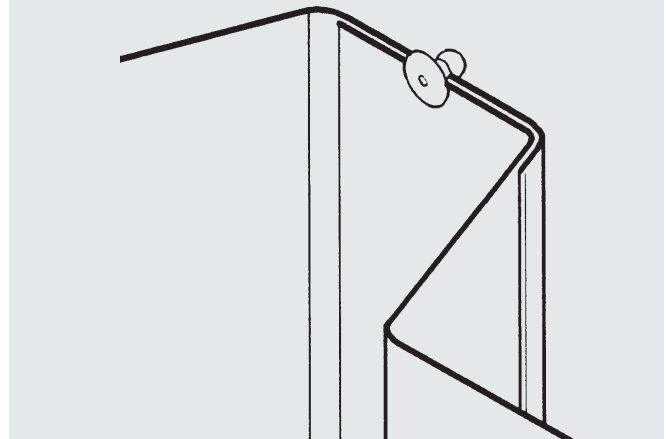
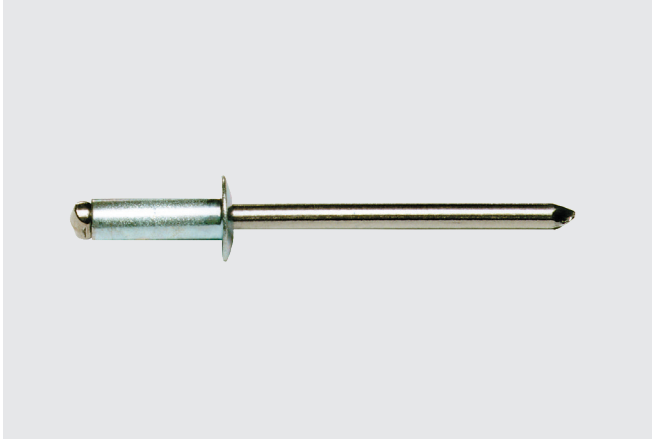


# American Standard Blind Rivet



## Features and Benefits

- 1/8" dome head style
- Provides secure and permanent fastening solution
- Good installed appearance
- Won't loosen in high vibration or fatigue applications
- Quality and repeatability of assembly
- No over driving or under driving
- Installed function of the rivet will be consistent and is independent of the installer's technique

## Application

Metal trim applications and other light gauge installations

## Product Selection

Material No.	Rivet Diameter	US Dimension	Description	Grip Range	Carton Wt. (lbs.)	Carton Qty.
792377*	1/8"	43	STST43D rivet	0.126"-0.187"	15	5,000
792474	1/8"	44	STST44D rivet	0.188"-0.250"	16	5,000
792523	1/8"	46	STST46D rivet	0.251"-0.375"	16	5,000

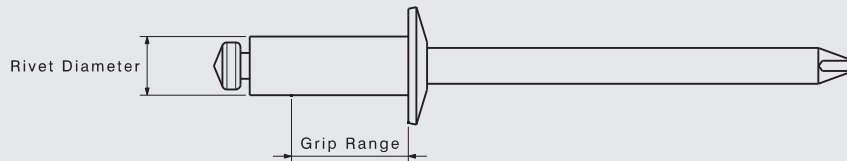
\*STST43D rivets available painted to match standard industry colors. See options.

Material No.	Rivet Diameter	US Dimension	Description	Grip Range	Carton Wt. (lbs.)	Carton Qty.
791756	1/8"	42	AA42D rivet	0.063"-0.125"	5	5,000
791861	1/8"	43	AA43D rivet	0.126"-0.187"	5	5,000
1298352	1/8"	44	AA44D rivet	0.188"-0.250"	5	5,000

Plain product bagged 250 pieces, unless otherwise noted.

Other sizes available upon request

# American Standard Blind Rivet



STST43D-RevIR

## STST43D Standard Color Options

Color Code	Color Name	Material No. 250/bag	Color Code	Color Name	Material No. 250/bag	Color Code	Color Name	Material No. 250/bag
001	White	791963	302	Pearl Gray	1298410	629	Sierra Tan	792271
012	Blue	791968	324	Dark Bronze	1088439	660	Hemlock	792276
014	Bright White	791971	330	Warm White	1298411	691	Barn Red	1298437
020	Tan	791982	348	Bone White	792127	732	Denali Green	792315
023	Black	791986	393	Burgundy	792146	798	Hartford Green	792326
042	Burnished Slate	791995	415	Beige	792163	843	Regal Blue	792333
051	Charcoal Gray	792001	416	Slate Gray	792164	850	Ash Gray	792336
074	Colonial Red	792018	422	Taupe	1298416	890	Red	792350
091	Zinc Gray	792023	507	Matte Black	792195	928	Terra Cotta	792359
102	Crimson Red	792031	508	Patina Green	792197	1111	Mansard Brown	792048
109	Sand Beige	792037	537	Medium Bronze	792211	1116	Copper Penny*	508807
110	Brown	792043	538	Tahoe Blue	792213	1160	Champagne*	516537
228	Green	792081	548	Ivory	792224	1161	Silver*	516538
232	Evergreen	792088	553	Parchment	792228	1162	Zactique*	516539
248	Light Stone	792097	578	Old Town Gray	792244	1193	Terratone	1036701

\*Metallic

## Installation and Application Considerations

Use of a #30 drill bit is required for a pre-drill hole size of 0.129"–0.133" (3 mm–3.3 mm).

Metric values are approximate conversions.

The details stated are results of tests and/or calculations and therefore are non-binding and do not represent warranties or warranted characteristics for not specified applications. All calculations therefore have to be checked and approved by the responsible planner ahead of execution. The user is responsible to assure compliance with all applicable laws and regulations.