

SPECIFICATION:

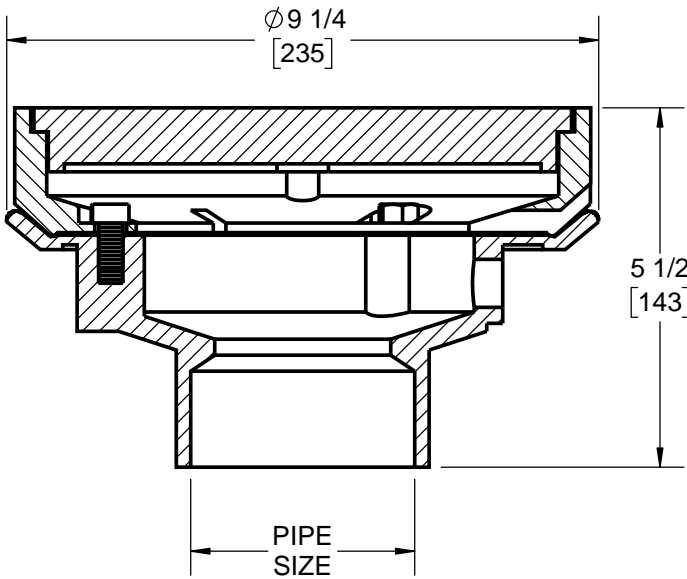
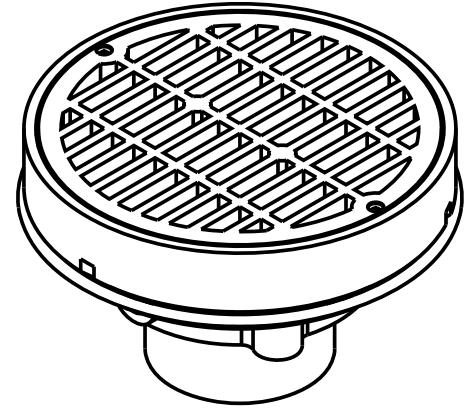
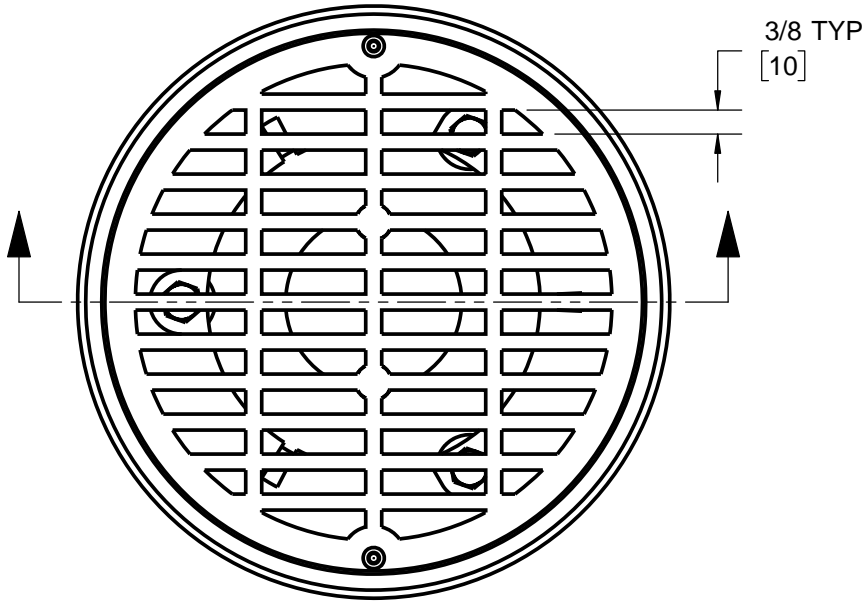
JOSAM FD-370 SERIES PVC FLOOR DRAIN, TWO-PIECE BODY WITH DOUBLE DRAINAGE FLANGE, WEJLOC NON-PUNCTURING CLAMP COLLAR WITH WEEPHOLES, 9" ROUND PVC GRATE AND SOLVENT WELD BOTTOM OUTLET FOR SCHEDULE 40 PVC PIPE. GRATE FREE AREA: 23 SQ. IN. MEETS ADA REQUIREMENTS.

FLOOR DRAIN

PVC, 9" ROUND

SERIES

FD-370



OPTIONS:

2"	PIPE SIZE - FD-372
3"	PIPE SIZE - FD-373
4"	PIPE SIZE - FD-374
-HG	HALF GRATE
-B	BUCKET
-49	3/4" PRIMER TAP
-50	1/2" PRIMER TAP

WARNING: Cancer and Reproductive Harm - www.P65Warnings.ca.gov

DATE OF LAST CHANGE: 05/06/19

DIMENSIONS ARE SUBJECT TO MANUFACTURERS TOLERANCES AND CHANGE WITHOUT NOTICE. WE CAN ASSUME NO RESPONSIBILITY FOR USE OF SUPERSEDED OR VOID DATA.

JOSAM

MICHIGAN CITY, INDIANA

NOTES