

Location: _____

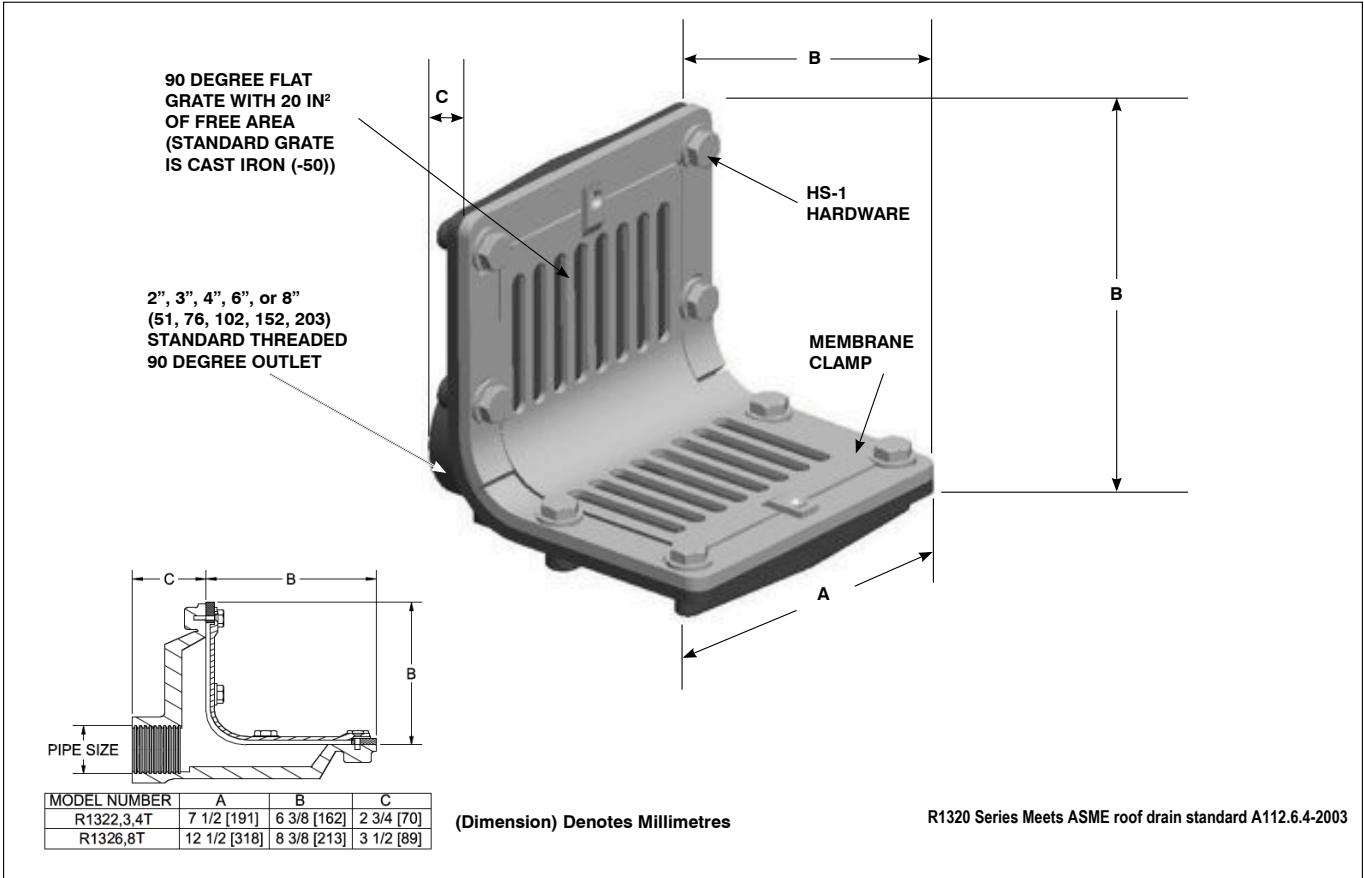


R1320T

SCUPPER DRAIN WITH FLAT GRATE AND 90 DEGREE THREADED OUTLET

Specification: MIFAB® R1320T lacquered cast iron scupper drain with 90 degree threaded outlet, membrane clamp and 90 degree grate. (specify cast iron (Suffix -50) or nickel bronze (Suffix -1)).

Function: To provide drainage from a roof surface where the roof and parapet meet. The flush grate prevents obstruction to traffic. Reverse outlet for 45 degree outlet connection (R1330).



SUFFIX	OPTIONAL VARIATIONS
-1	Nickel bronze frame and grate
-6	Vandal proof grate
-11	Acid resistant epoxy coating
-13	All Galvanized
-50	Cast iron frame and grate
-83	Stainless steel mesh screen over dome
-BA	Buy America Act compliant product
-NH	No Hub Outlet (2", 3", 4," 6" or 8")
-PA	Pennsylvania Steel Act compliant product
Standard	No Hub outlet (2", 3", 4", 6" or 8")

CALIFORNIA PROPOSITION 65 WARNING. This product contains chemicals known to the State of California to cause cancer and birth defects or other reproductive harm.

Job Name: _____ Page No: _____
 Section No: _____ Contractor: _____
 Schedule No: _____ Purchase Order No: _____