

Location: _____

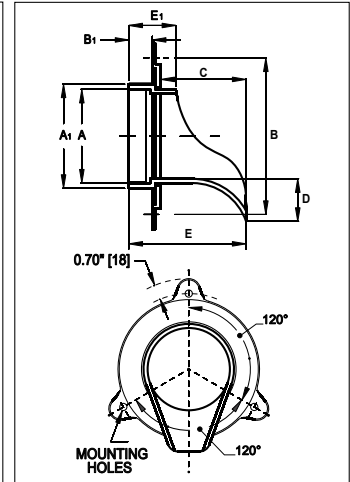
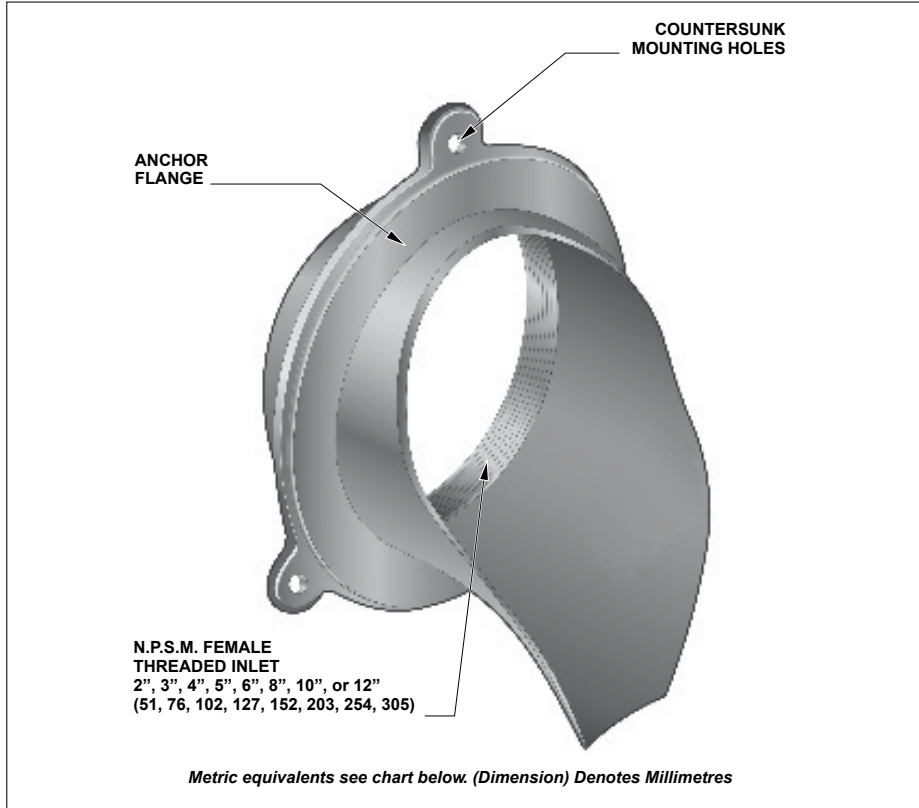


R1940

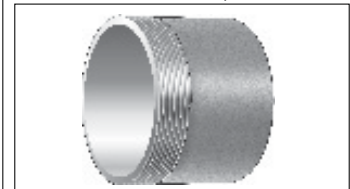
DOWNSPOUT NOZZLE

Specification: MIFAB® Series R1940 downspout nozzle with nickel bronze body and threaded outlet, wall anchor flange with countersunk holes and decorative outlet nozzle.

Function: Used as a parapet overflow or at the base of a wall where a concealed leader discharges rainwater to the ground. The decorative outlet nozzle directs water away from the wall to prevent unsightly staining. The wall anchor flange covers the rough opening and anchors the body.



For No Hub connection, use MI-850 Series No Hub to male threaded adapter



SIZE			LENGTH		
2"	6"	12"	2 3/8"	4 3/8"	7"
3"	8"		3 5/8"	5"	
4"	10"		3 1/2"	5"	

MODEL NO.	PIPE SIZE - A	A ₁	B	B ₁	C	D	E	E ₁
R1942*	2" (51)	3.90"(100)	6.40"(163)	1.00"(25)	4.50"(114)	2.00" (51)	5.75" (146)	2.10" (53)
R1943	3" (76)	3.90"(100)	6.40"(163)	1.00"(25)	4.50"(114)	2.00" (51)	5.75" (146)	2.10" (53)
R1944	4" (102)	4.90"(124)	7.40"(188)	1.15"(29)	4.00"(102)	2.00" (51)	5.50" (140)	2.10" (53)
R1945	5" (127)	7.10"(180)	9.40"(239)	1.15"(29)	4.50"(114)	2.50" (64)	5.75" (146)	2.10" (53)
R1946	6" (152)	7.10"(180)	9.40"(239)	1.15"(29)	4.50"(114)	2.50" (64)	5.75" (146)	2.10" (53)
R1948	8" (203)	9.10"(231)	11.40"(290)	1.15"(29)	4.50"(114)	2.50" (64)	5.75" (146)	2.65" (67)
R1950	10" (254)	11.20"(284)	13.40"(340)	1.35"(34)	4.50"(114)	2.50" (64)	5.75" (146)	2.65" (67)
R1952	12" (305)	13.10"(334)	14.63"(372)	1.35"(34)	4.50"(114)	2.50" (64)	6.56" (167)	2.65" (67)

*R1942 in all finishes is available only as a R1943 with an eccentric reducer bushing (MI-800-2)

SUFFIX	OPTIONAL VARIATIONS	SUFFIX	OPTIONAL VARIATIONS
-1	Cast Nickel Bronze (Standard)	-83	Stainless steel mesh screen over dome
-2	Polished bronze	-84	Stainless steel hinged perforated cover
-2RB	Rough bronze	-BA	Buy America Act compliant product
-3	Cast stainless steel (Type 304, 2" through 6" only)	-PA	Pennsylvania Steel Act compliant product

CALIFORNIA PROPOSITION 65 WARNING. This product contains chemicals known to the State of California to cause cancer and birth defects or other reproductive harm.

Job Name: _____ Page No: _____
 Section No: _____ Contractor: _____
 Schedule No: _____ Purchase Order No: _____