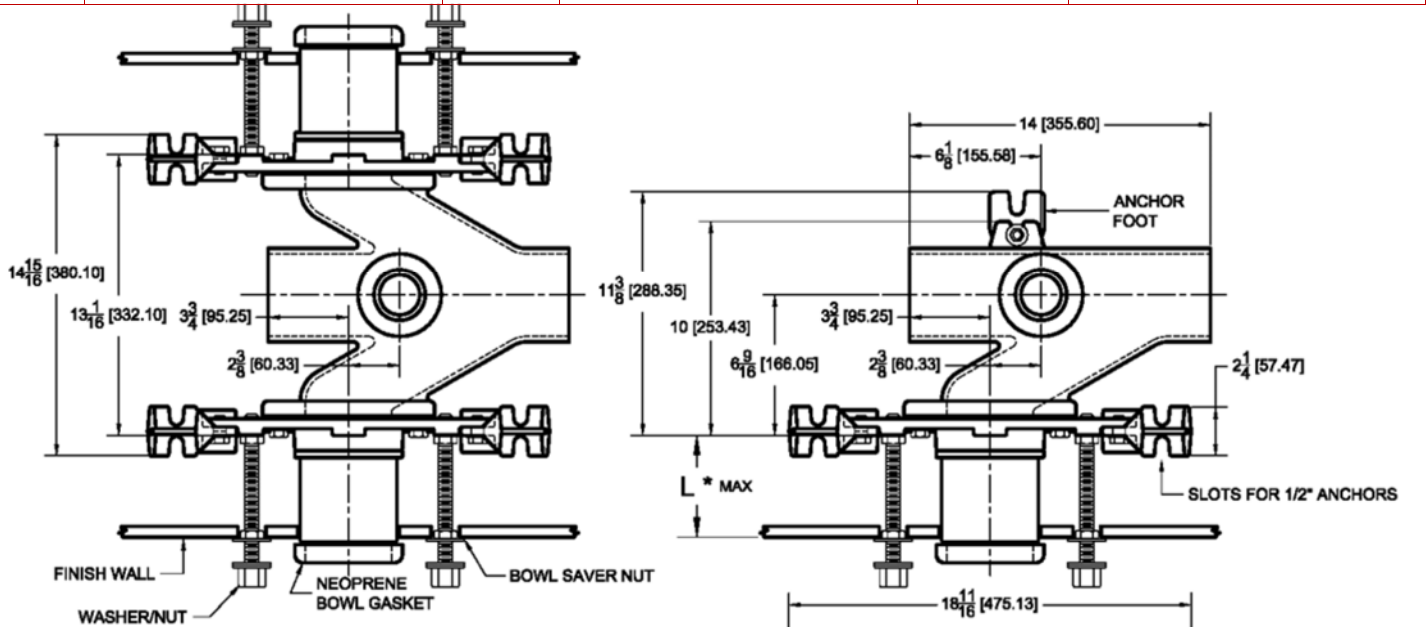
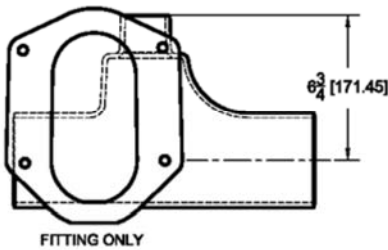


311 Horizontal Adjustable Water Closet Support

Project	Engineer	Mechanical
---------	----------	------------

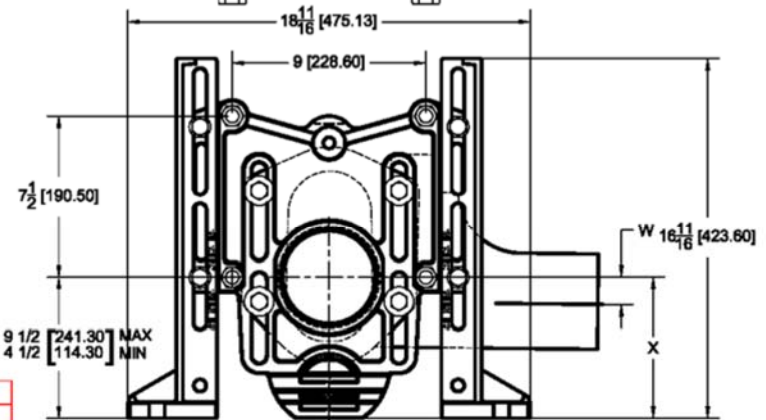


Coupling Package	L	
	Min	Max
C7	1 3/4"	6"
ECC11	1 3/4"	10"
ECC14	1 3/4"	13"
ECC24	4"	23"



W - DIMENSION		
MIN	MAX	TYPE
0	4 (101.6)	SIPHON JET

*X DIMENSION SHOULD EQUAL FIXTURE ROUGH-IN HEIGHT
LUGS ARE REMOVABLE FOR VARIOUS HEIGHTS



Left Hand Unit Illustrated

•	Model	Orientation	Connection Type
	311-NL3	Left	No-Hub
	311-NR3	Right	
	311-ND3	Double	
	311-NL4	Left	
	311-NR4	Right	
	311-ND4	Double	

Regularly Furnished: Horizontal water closet carrier with floor mounted foot support, rear anchor, 7" ABS coupling with o-ring seal, test cap, threaded zinc plated support studs and hardware, stud protectors, neoprene bowl basket, chrome plated cap nuts, & adjustable faceplate.

Suffix Options		
Suffix	Description	•
-AM1	Flush Valve Support	
-AM21	Tiling Flange	
-ECC	Extending Coupling & Hardware (Per Inch)	
-FPO	Adjustable, All Thread ABS Coupling	
-HR	High Rough Face Plate*	
-LR	Low Rough Faceplate*	
-UA	Urinal Auxiliary Inlet (2" No-Hub)*	

Suffix Options		
Suffix	Description	•
-M3	Vandal Proof Hardware	
-M4	Rod Supported Feet	
-M14	Floor Mounted, Back Outlet Adapter	
-M26	Adjustable Cast Iron Coupling	
-36	36" Extended Barrel*	

*Dimensions vary from illustration