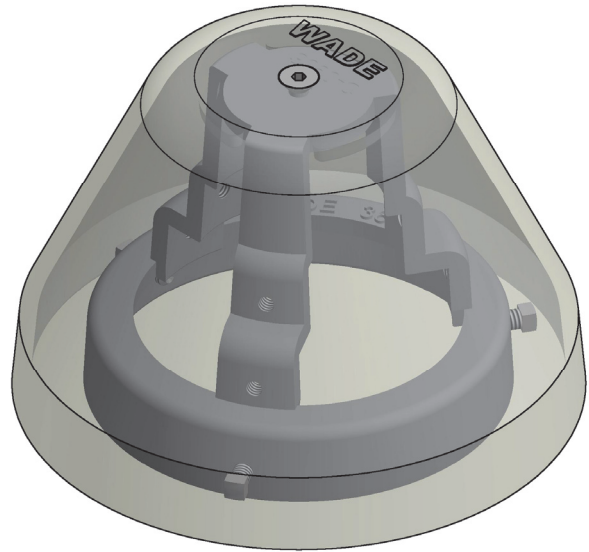
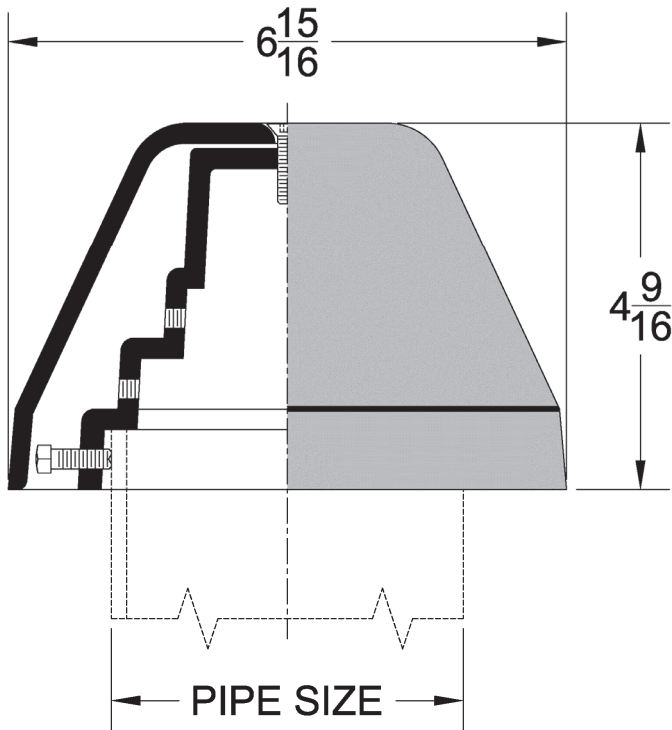


### 3691 Vent Cap

Project	
Engineer	
Mechanical	



Catalog Number	•
3691	

**Regularly Furnished:** Cast iron vent cap with hooded dome & vandal proof screws.

Outlet Variations		
Type	Designation	•
Slip Joint w/ Set Screws	234SJ	

Suffix Options		
Suffix	Description	•
-39	Galvanized Cast Iron	